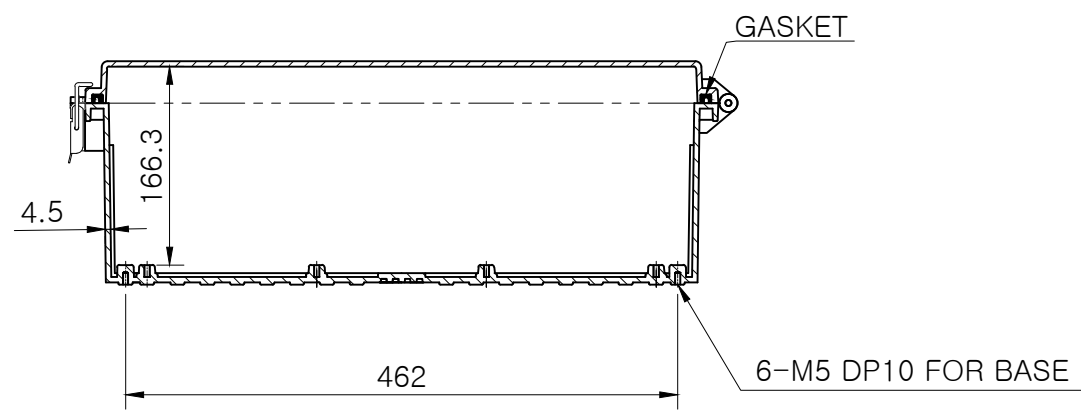
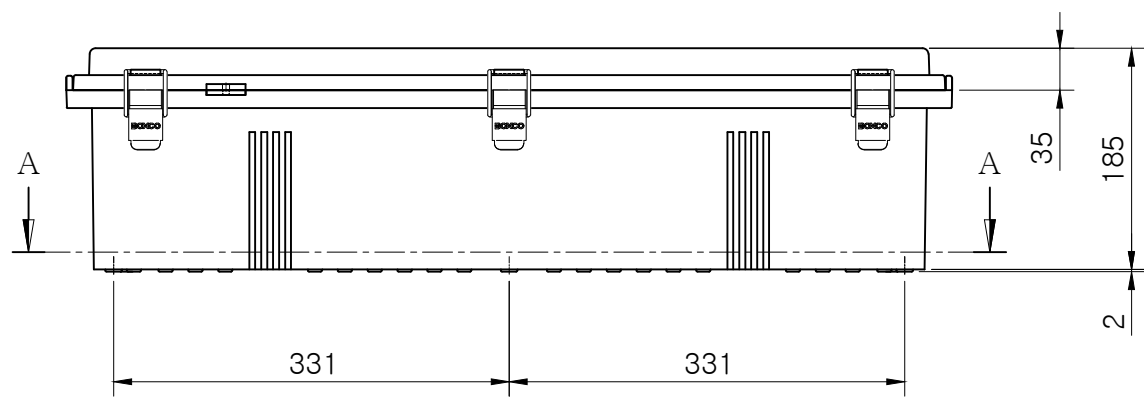


SECTION A-A



SECTION B-B

Note.

MODEL (모델)	BC-□□P-507018			DR (제도)	JUNG,Y.J.	16.05.09	UNIT (단위)	mm
ASSY (완성 규격)	530 * 730 * 185			CK (검도)	PARK,Y.J.	16.05.09	SCALE (척도)	1:6
DWG NO (도번)	P-507018-03	MATERIAL (재질)		AP (승인)	KIM,D.S.	16.05.10	REV. (개정)	0

**BOXCO®**