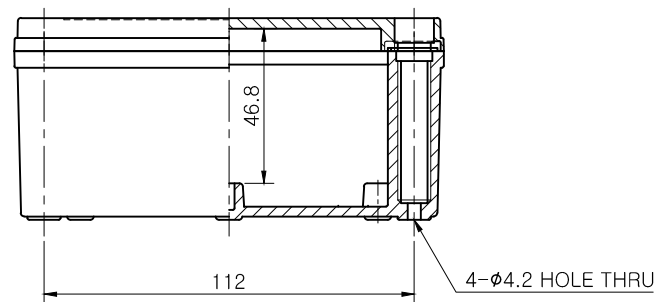
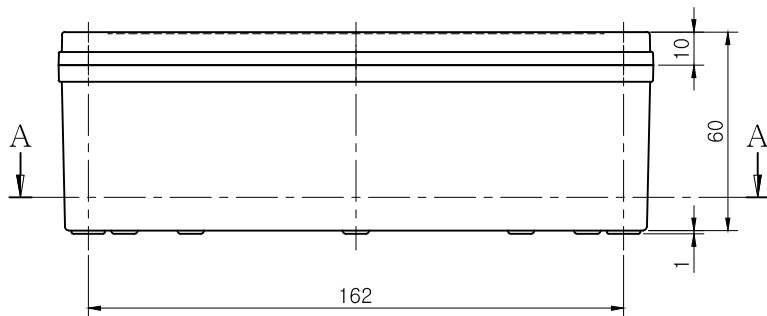


SECTION A-A



**Note.**

M4 \* 10 Round headed bolt \* 4  
BC-CB10 \* 4

MODEL (모델)	BC-□□M-131806		D R (재도)	JUNG,Y.J.	16.11.18	UNIT (단위)	mm
ASSY (완성 규격)	130 * 180 * 60		C K (검도)	PARK,Y.J.	16.11.18	SCALE (척도)	1:1.5
DWG NO (도번)	M-131806-03	MATERIAL (재료)	A P (승인)	KIM,D.S.	16.11.19	REV. (개정)	0

**BOXCO®**