

# LT-3010-10A CV Power Repeater



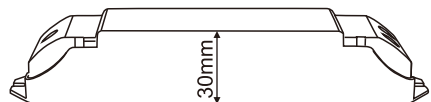
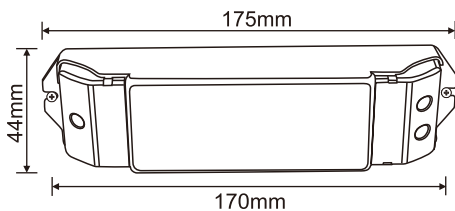
LED Power Repeater is suitable for all of our company's power-output style controllers' power expansion, it accepts PWM control, the control quantity of LED lights would be twice as much by adding one more power repeater, unlimited quantity of power repeater to be connected theoretically.

## 1. Technical Specs:

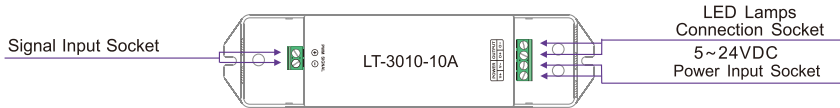
### LT-3010-10A

- Input Signal: CV/CC PWM
- Input Voltage: 5~24VDC
- Max Current Load: 10A × 1CH Max 10A
- Max Power Load: 50W/120W/240W(5V/12V/24V)
- Working Temperature: -30°C ~55°C
- Dimensions: L175×W44×H30(mm)
- Package Size: L178×W48×H33(mm)
- Weight (G.W.): 120g

## 2. Product Size:

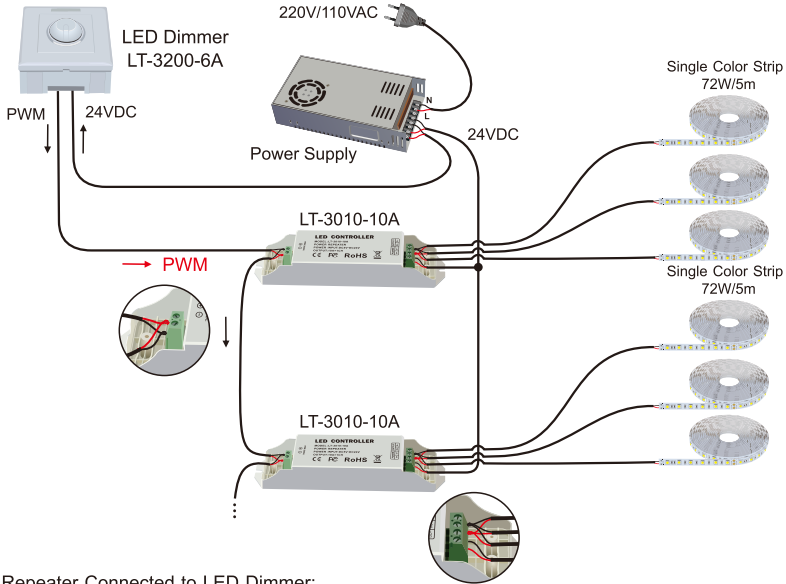


3. Wiring Diagram:



3.1 Power Repeater Connected to PWM LED Dimmer :

12V lamp connected, loads 1~120W(12V).  
24V lamp connected, loads 1~240W(24V).



3.2 Power Repeater Connected to LED Dimmer:

