

Non-Metallic Push Button & Switch Boxes

Part Numbers and Size

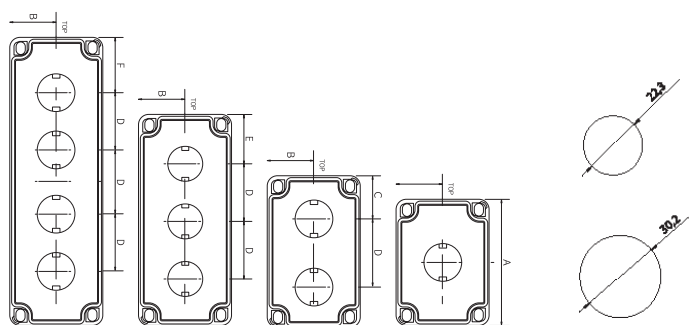


MODEL		SIZE (including cover)		φ	Hole
ABS	PC	W * L * H (unit : mm)	W * L * H (unit : inch)		
BC-AGS-2201	BC-CGS-2201	80x110x70	3.15x4.33x2.76	22	1
BC-AGS-2202	BC-CGS-2202	80x130x70	3.15x5.12x2.76	22	2
BC-AGS-2203	BC-CGS-2203	80x180x70	3.15x7.09x2.76	22	3
BC-AGS-2204	BC-CGS-2204	80x250x70	3.15x9.84x2.76	22	4
BC-AGS-3001	BC-CGS-3001	80x110x70	3.15x4.33x2.76	30	1
BC-AGS-3002	BC-CGS-3002	80x130x70	3.15x5.12x2.76	30	2
BC-AGS-3003	BC-CGS-3003	80x180x70	3.15x7.09x2.76	30	3
BC-AGS-3004	BC-CGS-3004	80x250x70	3.15x9.84x2.76	30	4



Dimensions

Cat. No.	Hole	A	B	C	D	E	F
BC- S-2201	1	55	40	-	-	-	-
BC- S-2202	2	-	40	40	50	-	-
BC- S-2203	3	-	40	-	50	40	-
BC- S-2204	4	-	40	-	50	-	50
BC- S-3001	1	55	40	40	-	-	-
BC- S-3002	2	-	40	40	50	-	-
BC- S-3003	3	-	40	-	50	40	-
BC- S-3004	4	-	40	-	50	-	50



Features

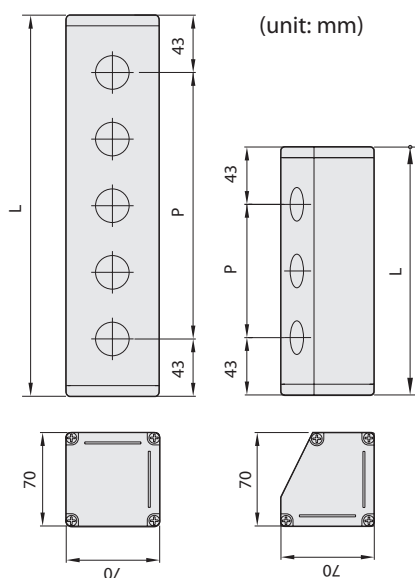
Protection level	IP66/67, IK07/08
Technical	Smooth sidewalls Standard or Quick turn screws Integrated cover retainer
Certifications	UL508 on Polycarbonate products
Color	Light gray
Temperature range	ABS: -40°C to 86°C (-40°F to 185°F) UL94-HB Non-Flammable Polycarbonate: -40°C to 120°C (-40°F to 248°F) UL94-V-0~5VA Non-Flammable

Aluminum Push Button & Switch Boxes

Ordering Information

MB70 **S** - **01**
① ②

① Box Style	S	Square Side
	T	Triangular Side
② Number of Holes	01	1 Hole
	02	2 Holes
	03	3 Holes
	04	4 Holes
	05	5 Holes
	X	X Holes (optional)



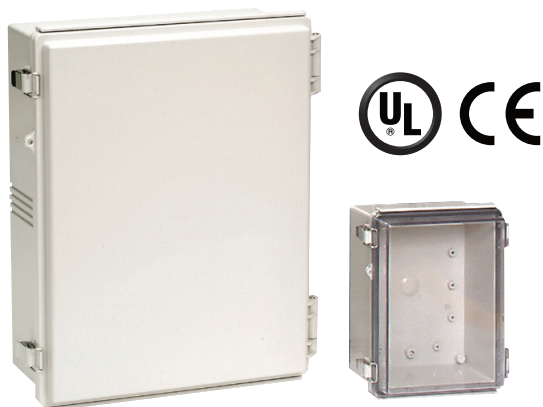
Dimensions

	L	P
1 Holes	3.4 in (86mm)	-
2 Holes	5.4 in (136mm)	2 in (50mm)
3 Holes	7.3 in (186mm)	3.9 in (100mm)
4 Holes	9.3 in (236mm)	5.9 in (150mm)
5 Holes	11.3 in (286mm)	7.9 in (200mm)

Non-Metallic Enclosures

Hinge & Latch Type P-Series

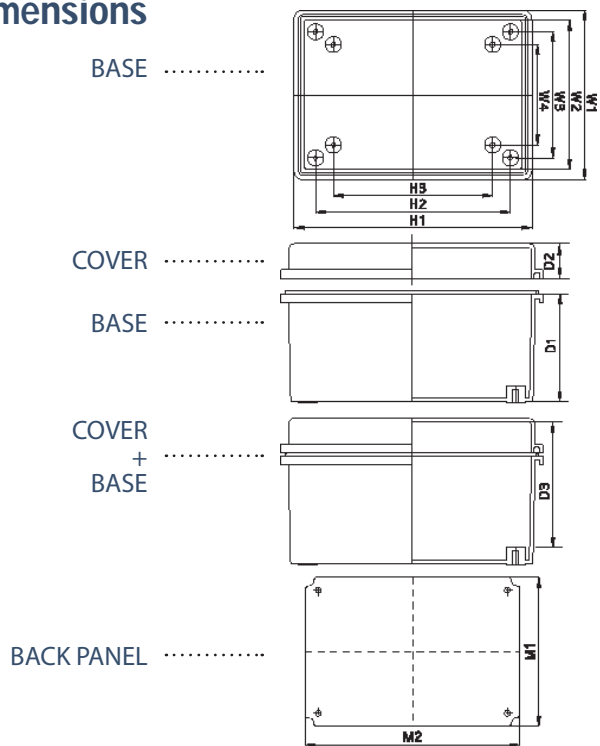
unit : mm



Features

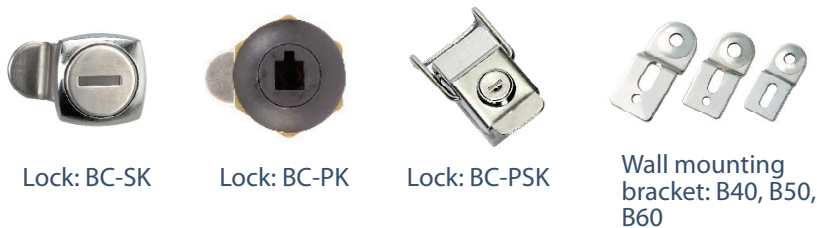
Protection level	IP66/67, IK07/08, NEMA 4X
Technical	Wall mounting brackets are available Gray or transparent cover, Steel and Plastic Back panels are available Built-in Key ring
Certifications	UL508 on Polycarbonate products
Temperature range	ABS: -40°C to 86°C (-40°F to 185°F) UL94-HB Non-Flammable Polycarbonate: -40°C to 120°C (-40°F to 248°F) UL94-HB(Transparent) Non-Flammable UL94-V-0~5VA(Gray) Non-Flammable

Dimensions



Box Size	Enclosure Dimensions										Back panel	
	W1	W2	W3	W4	H1	H2	H3	D1	D2	D3	M1	M2
90x120x70	90	77.5	50	0	128.4	80	69	50	20	51.5	65	95
90x120x85	90	77.5	50	0	128.4	80	69	65	20	66.5	65	95
100x150x70	100	87.5	60	0	158.4	110	99	50	20	51.5	65	115
100x150x85	100	87.5	60	0	158.4	110	99	65	20	66.5	65	115
110x210x75	110	87.7	70	0	218.4	170	158	55	20	56.5	88	189
110x210x100	110	87.7	70	0	218.4	170	158	80	20	81.5	88	189
110x260x75	110	87.7	70	0	268.4	220	208	55	20	56.5	85	232
110x260x100	110	87.7	70	0	268.4	220	208	80	20	81.5	85	232
135x155x85	135	115	105	0	150	119.3	110	60	20	67.5	101	126
135x185x85	135	108	95	0	193.4	145	140	65	20	67.5	113	161
135x185x100	135	108	95	0	193.4	145	140	80	20	82.5	113	161
150x150x90	150	150	120	0	150	120	110	70	20	71.5	123	123
150x150x120	150	150	120	0	150	120	110	100	20	101.5	123	123
160x210x100	160	137	120	0	218.4	170	160	75	25	81.5	129	179
160x210x130	160	137	120	0	218.4	170	160	105	25	111.5	129	179
160x260x100	160	144.6	120	0	268.4	220	210	75	25	85.5	129	224
160x260x130	160	144.6	120	0	268.4	220	210	105	25	111.5	129	224
170x220x110	170	149.6	132	0	228.4	182	160	80	30	93	129	219
170x270x110	170	149.6	132	0	278.4	232	210	80	30	93	129	224
190x280x100	190	173.5	148	120	288.4	238	210	70	30	81.5	159	248
190x280x140	190	173.5	148	120	288.4	238	210	110	30	111.5	159	248
200x300x130	200	181.8	152	129	308.4	252	226	100	30	108.5	166	266
200x300x150	200	181.8	152	129	308.4	252	226	120	30	128.5	166	266
200x300x180	200	181.8	152	129	308.4	252	226	150	30	158.5	166	266
210x210x100	210	192.3	170	120	218.4	170	150	75	25	82	179	179
210x210x130	210	192.3	170	120	218.4	170	150	105	25	112	179	179
250x350x150	250	231.8	202	180	358.4	302	271	120	30	130	216	316
250x350x180	250	231.8	202	180	358.4	302	271	150	30	160	216	316
280x280x130	280	264.1	238	210	288.4	238	210	100	30	108	248	248
280x380x130	280	264.1	238	210	388.4	338	310	100	30	108	248	348
300x300x150	300	283.3	252	230	308.4	252	219	120	30	131.5	262	260
300x300x180	300	283.3	252	230	308.4	252	219	150	30	161.5	262	260
300x400x120	300	275.5	252	228	408.4	352	325	90	30	98.5	265	365
300x400x150	300	275.5	252	228	408.4	352	325	120	30	128.5	265	365
300x400x180	300	275.5	252	228	408.4	352	325	150	30	158.5	265	365
350x350x150	350	333.8	302	270	358.4	302	270	120	30	132	310	310
350x350x180	350	333.8	302	270	358.4	302	270	150	30	162	310	310
350x450x120	350	325.4	300	274	457.4	400	365	90	30	98	305	406
350x450x160	350	325.4	300	274	457.4	400	365	130	30	138	305	406
350x450x200	350	325.4	300	274	457.4	400	365	170	30	178	305	406
400x500x160	400	370.5	352	328	511.4	452	428	130	30	137	358	458
400x500x200	400	370.5	352	328	511.4	452	428	170	30	178	358	458
400x600x180	400	370.5	352	328	611.4	552	525	150	30	158	358	458
400x600x230	400	370.5	352	328	611.4	552	525	200	30	208	358	458
530x630x185	530	487.4	462	426	641.4	562	526	150	35	163	450	550
530x630x255	530	487.4	462	426	641.4	562	526	220	35	233	450	550
530x730x185	530	487.4	462	426	741.4	662	626	150	35	163	450	650
530x730x255	530	487.4	462	426	741.4	662	626	220	35	233	450	650
630x830x185	630	581.9	562	526	841.4	762	726	150	35	163	550	750
630x830x285	630	581.9	562	526	841.4	762	726	250	35	253	550	750

Accessories



Lock: BC-SK

Lock: BC-PK

Lock: BC-PSK

Wall mounting bracket: B40, B50, B60

Size and Part Numbers

SIZE (including cover)		PART NUMBERS				Back Panel	
W * L * H (unit: mm)	W * L * H (unit: inch)	ABS		Polycarbonate (UL508)		steel 1.6mm	plastic 3mm+
		gray cover	Transparency cover	gray cover	Transparency cover		
90x120x70	3.54x4.72x2.76	BC-AGP-091207	BC-ATP-091207	BC-CGP-091207	BC-CTP-091207	BC-0912 ST	BC-0912 P
90x120x85	3.54x4.72x3.35	BC-AGP-091208	BC-ATP-091208	BC-CGP-091208	BC-CTP-091208	BC-0912 ST	BC-0912 P
100x150x70	3.94x5.91x2.76	BC-AGP-101507	BC-ATP-101507	BC-CGP-101507	BC-CTP-101507	BC-1015 ST	BC-1015 P
100x150x85	3.94x5.91x3.35	BC-AGP-101508	BC-ATP-101508	BC-CGP-101508	BC-CTP-101508	BC-1015 ST	BC-1015 P
110x210x75	4.33x8.27x2.95	BC-AGP-112107	BC-ATP-112107	BC-CGP-112107	BC-CTP-112107	BC-1121 ST	BC-1121 P
110x210x100	4.33x8.27x3.94	BC-AGP-112110	BC-ATP-112110	BC-CGP-112110	BC-CTP-112110	BC-1121 ST	BC-1121 P
110x260x75	4.33x10.24x2.95	BC-AGP-112607	BC-ATP-112607	BC-CGP-112607	BC-CTP-112607	BC-1126 ST	BC-1126 P
110x260x100	4.33x10.24x3.94	BC-AGP-112610	BC-ATP-112610	BC-CGP-112610	BC-CTP-112610	BC-1126 ST	BC-1126 P
135x155x85	5.12x5.91x3.35	BC-AGP-131508	BC-ATP-131508	BC-CGP-131508	BC-CTP-131508	BC-1315 ST	BC-1315 P
135x185x85	5.12x7.09x3.35	BC-AGP-131808	BC-ATP-131808	BC-CGP-131808	BC-CTP-131808	BC-1318 ST	BC-1318 P
135X185X100	5.12X7.09 X3.94	BC-AGP-131810	BC-ATP-131810	BC-CGP-131810	BC-CTP-131810	BC-1318 ST	BC-1318 P
150x150x90	5.91x5.91x3.54	BC-AGP-151509	BC-ATP-151509	BC-CGP-151509	BC-CTP-151509	BC-1515 ST	BC-1515 P
150x150x120	5.91x5.91x4.72	BC-AGP-151512	BC-ATP-151512	BC-CGP-151512	BC-CTP-151512	BC-1515 ST	BC-1515 P
160x210x100	6.30x8.27x3.94	BC-AGP-162110	BC-ATP-162110	BC-CGP-162110	BC-CTP-162110	BC-1621 ST	BC-1621 P
160x210x130	6.30x8.27x5.12	BC-AGP-162113	BC-ATP-162113	BC-CGP-162113	BC-CTP-162113	BC-1621 ST	BC-1621 P
160x260x100	6.30x10.24x3.94	BC-AGP-162610	BC-ATP-162610	BC-CGP-162610	BC-CTP-162610	BC-1626 ST	BC-1626 P
160x260x130	6.30x10.24x5.12	BC-AGP-162613	BC-ATP-162613	BC-CGP-162613	BC-CTP-162613	BC-1626 ST	BC-1626 P
170x220x110	6.69x8.66x4.33	BC-AGP-172211	BC-ATP-172211	BC-CGP-172211	BC-CTP-172211	BC-1722 ST	BC-1722 P
170x270x110	6.69x10.63x4.33	BC-AGP-172711	BC-ATP-172711	BC-CGP-172711	BC-CTP-172711	BC-1727 ST	BC-1727 P
190x280x100	7.48x11.02x3.94	BC-AGP-192810	BC-ATP-192810	BC-CGP-192810	BC-CTP-192810	BC-1928 ST	BC-1928 P
190x280x140	7.48x11.02x5.51	BC-AGP-192814	BC-ATP-192814	BC-CGP-192814	BC-CTP-192814	BC-1928 ST	BC-1928 P
200X300X130	7.87x11.81x5.12	BC-AGP-203013	BC-ATP-203013	BC-CGP-203013	BC-CTP-203013	BC-2030 ST	BC-2030 P
200x300x150	7.87x11.81x5.91	BC-AGP-203015	BC-ATP-203015	BC-CGP-203015	BC-CTP-203015	BC-2030 ST	BC-2030 P
200x300x180	7.87x11.81x7.09	BC-AGP-203018	BC-ATP-203018	BC-CGP-203018	BC-CTP-203018	BC-2030 ST	BC-2030 P
210x210x100	8.27x8.27x3.94	BC-AGP-212110	BC-ATP-212110	BC-CGP-212110	BC-CTP-212110	BC-2121 ST	BC-2121 P
210x210x130	8.27x8.27x5.12	BC-AGP-212113	BC-ATP-212113	BC-CGP-212113	BC-CTP-212113	BC-2121 ST	BC-2121 P
250x350x150	9.84x13.78x5.91	BC-AGP-253515	BC-ATP-253515	BC-CGP-253515	BC-CTP-253515	BC-2535 ST	BC-2535 P
250x350x180	9.84x13.78x7.09	BC-AGP-253518	BC-ATP-253518	BC-CGP-253518	BC-CTP-253518	BC-2535 ST	BC-2535 P
280x280x130	11.02x11.02x5.12	BC-AGP-282813	BC-ATP-282813	BC-CGP-282813	BC-CTP-282813	BC-2828 ST	BC-2828 P
280x380x130	11.02x14.96x5.12	BC-AGP-283813	BC-ATP-283813	BC-CGP-283813	BC-CTP-283813	BC-2838 ST	BC-2838 P
300x300x150	11.81x11.81x5.91	BC-AGP-303015	BC-ATP-303015	BC-CGP-303015	BC-CTP-303015	BC-3030 ST	BC-3030 P
300x300x180	11.81x11.81x7.09	BC-AGP-303018	BC-ATP-303018	BC-CGP-303018	BC-CTP-303018	BC-3030 ST	BC-3030 P
300x400x120	11.81x15.75x4.72	BC-AGP-304012	BC-ATP-304012	BC-CGP-304012	BC-CTP-304012	BC-3040 ST	BC-3040 P
300x400x150	11.81x15.75x5.91	BC-AGP-304015	BC-ATP-304015	BC-CGP-304015	BC-CTP-304015	BC-3040 ST	BC-3040 P
300x400x180	11.81x15.75x7.09	BC-AGP-304018	BC-ATP-304018	BC-CGP-304018	BC-CTP-304018	BC-3040 ST	BC-3040 P
350x350x150	13.78x13.78x5.91	BC-AGP-353515	BC-ATP-353515	BC-CGP-353515	BC-CTP-353515	BC-3535 ST	BC-3535 P
350x350x180	13.78x13.78x7.09	BC-AGP-353518	BC-ATP-353518	BC-CGP-353518	BC-CTP-353518	BC-3535 ST	BC-3535 P
350x450x120	13.78x17.72x4.72	BC-AGP-354512	BC-ATP-354512	BC-CGP-354512	BC-CTP-354512	BC-3545 ST	BC-3545 P
350x450x160	13.78x17.72x6.30	BC-AGP-354516	BC-ATP-354516	BC-CGP-354516	BC-CTP-354516	BC-3545 ST	BC-3545 P
350x450x200	13.78x17.72x7.87	BC-AGP-354520	BC-ATP-354520	BC-CGP-354520	BC-CTP-354520	BC-3545 ST	BC-3545 P
400x500x160	2087x24.80x7.28	BC-AGP-405016	BC-ATP-405016	BC-CGP-405016	BC-CTP-405016	BC-4050 ST	BC-4050 P
400x500x200	15.74x19.68x7.87	BC-AGP-405020	BC-ATP-405020	BC-CGP-405020	BC-CTP-405020	BC-4050 ST	BC-4050 P
400x600x180	15.74x23.62x7.08	BC-AGP-406018	BC-ATP-406018	BC-CGP-406018	BC-CTP-406018	BC-4060 ST	BC-4060 P
400x600x230	15.74x23.62x9.05	BC-AGP-406023	BC-ATP-406023	BC-CGP-406023	BC-CTP-406023	BC-4060 ST	BC-4060 P
530x630x185	20.87x24.80x7.28	BC-AGP-506018	BC-ATP-506018	BC-CGP-506018	BC-CTP-506018	BC-5060 ST	BC-5060 P
530x630x255	20.87x24.80x10.04	BC-AGP-506025	BC-ATP-506025	BC-CGP-506025	BC-CTP-506025	BC-5060 ST	BC-5060 P
530x730x185	20.87x28.74x7.28	BC-AGP-507018	BC-ATP-507018	BC-CGP-507018	BC-CTP-507018	BC-5070 ST	BC-5070 P
530x730x255	20.87x24.80x10.04	BC-AGP-507025	BC-ATP-507025	BC-CGP-507025	BC-CTP-507025	BC-5070 ST	BC-5070 P
630x830x185	24.80x32.68x7.28	BC-AGP-608018	BC-ATP-608018	BC-CGP-608018	BC-CTP-608018	BC-6080 ST	X
630x830x285	24.80x32.68x11.22	BC-AGP-608028	BC-ATP-608028	BC-CGP-608028	BC-CTP-608028	BC-6080 ST	X

Non-Metallic Enclosures

unit : mm

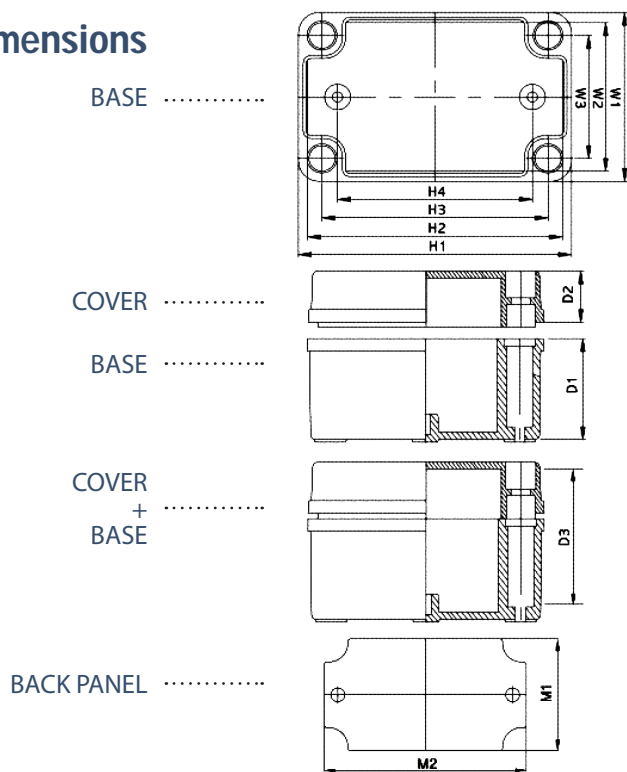
Screw Bolt Type S-Series



Features

Protection level	IP66/67, IK07/08
Technical	Smooth sidewalls Gray or transparent cover Standard or Quick turn screws Integrated cover retainer
Certifications	UL508 on Polycarbonate products
Color	Light gray, Transparent(Cover only)
Temperature range	ABS: -40°C to 86°C (-40°F to 185°F) UL94-HB Non-Flammable Polycarbonate: -40°C to 120°C (-40°F to 248°F) UL94-HB(Transparent) Non-Flammable UL94-V-0~5VA(Gray) Non-Flammable

Dimensions



Size	Enclosures										Back Panel	
	W1	W2	W3	H1	H2	H3	H4	D1	D2	D3	M1	M2
50×65×45	50	44	37	65	59	52	40	30	15	29.5	(52)	(38)
50×65×55	50	44	37	65	59	52	40	40	15	39.5	(52)	(38)
65×95×55	65	59	47	95	89	77	65	40	15	39.5	(50)	(80)
75×105×55	75	69	57	105	99	87	75	40	15	39.5	(60)	(90)
80×80×60	80	74	62	80	94	62	50	45	15	43	(65)	(65)
80×110×45	80	74	62	110	104	92	80	25	20	28	65	95
80×110×70	80	74	62	110	104	92	80	50	20	53	65	95
80×110×85	80	74	62	110	104	92	80	50	35	68	65	95
80×130×70	80	74	62	130	124	112	100	50	20	53	65	115
80×130×85	80	74	62	130	124	112	100	50	35	68	65	115
80×180×70	80	74	62	180	174	162	150	50	20	53	65	165
80×180×85	80	74	62	180	174	162	150	50	35	68	65	165
80×250×70	80	74	62	250	244	232	220	50	20	52	65	235
80×250×85	80	74	62	250	244	232	220	50	35	67	65	235
80×160×55	82	76	68	162	156	148	137	40	15	38	65	152
80×160×85	82	76	68	162	156	148	137	70	15	68	65	152
100×100×75	100	94	82	100	94	82	60	55	20	58	88	89
100×100×100	100	94	82	100	94	82	60	80	20	83	88	89
100×185×70	100	94	82	185	179	167	139	55	15	53	(88)	(174)
100×200×70	100	94	82	200	194	182	158	55	15	53	(88)	(189)
100×230×70	100	94	82	230	224	212	184	55	15	53	(88)	(219)
125×125×75	125	119	105	125	119	105	70	50	20	58	101	102
125×125×100	125	119	105	125	119	105	70	50	20	83	101	102
125×175×75	127	121	109	175	169	157	140	75	25	58	101	156
125×175×100	127	121	109	175	169	157	140	75	50	83	101	156
140×230×95	140	134	122	230	224	212	190	80	20	78	122	154
140×170×95	143	137	122	173	167	152	130	55	20	78	122	211
150×150×75	150	144	110	150	166	132	110	55	20	58	134	134
150×150×100	150	144	110	150	166	132	110	80	20	83	134	134
150×200×75	150	142	132	200	192	182	160	55	20	57	136	186
150×200×100	150	142	132	200	192	182	160	80	20	82	136	186
150×200×130	150	142	132	200	192	182	160	80	50	112	136	186
150×200×160	150	142	132	200	190	182	160	110	50	149	129	179
150×250×100	150	142	132	250	242	232	210	80	20	83	136	235
150×250×130	150	142	132	250	242	232	210	80	50	113	136	235
160×160×70	160	154	110	160	154	142	110	55	15	53	134	134
200×200×100	200	193	132	200	193	182	120	80	20	81	187	187
200×200×130	200	193	132	200	193	182	120	110	20	111	187	187
200×200×160	200	193	132	200	193	182	120	110	50	140.5	187	187
190×190×130	190	170	165	190	170	165	120	98	30	112	159	159
190×280×130	190	170	165	280	266	255	210	98	30	112	159	248
190×280×180	190	170	165	280	266	255	210	150	30	159	159	248
190×380×130	190	170	165	380	359	355	310	98	30	109	159	348
190×380×180	190	170	165	380	360	355	310	150	30	159	159	348
280×280×130	280	266	255	280	266	255	210	98	30	112	248	248
280×340×130	280	266	255	340	319	315	270	100	30	109	248	308
280×380×130	280	266	255	380	359	355	310	98	30	109	248	248
280×380×180	280	266	255	380	359	355	310	148	30	159	248	348
280×560×130	280	266	255	560	535	505	490	100	30	119	232	535
330×430×180	330	309	305	430	409	405	360	150	30	164	285	409
380×560×180	380	366	355	560	535	505	490	150	30	159	345	535

Size and Part Numbers

SIZE (including cover)		MODEL				Back Panel	
W * L * H (Unit :mm)	W * L * H (Unit :inch)	ABS		Polycarbonate		steel 1.6mm	plastic 3mm above
		gray cover	transparency cover	gray cover	transparency cover		
50x65x45	1.97x2.56x1.77	BC-AGS-050604	BC-ATS-050604	BC-CGS-050604	BC-CTS-050604	BC-0506 ST	X
50x65x55	1.97x2.56x2.17	BC-AGS-050605	BC-ATS-050605	BC-CGS-050605	BC-CTS-050605	BC-0506 ST	X
65x95x55	2.56x3.74x2.17	BC-AGS-060905	BC-ATS-060905	BC-CGS-060905	BC-CTS-060905	BC-0609 ST	X
75x105x55	2.95x4.13x2.17	BC-AGS-071005	BC-ATS-071005	BC-CGS-071005	BC-CTS-071005	BC-0710 ST	X
80x80x60	3.15x3.15x2.17	BC-AGS-080806	BC-ATS-080806	BC-CGS-080806	BC-CTS-080806	BC-0808 ST	X
80x110x45	3.15x4.33x1.77	BC-AGS-081104	BC-ATS-081104	BC-CGS-081104	BC-CTS-081104	BC-0811ST	BC-0811 P
80x110x70	3.15x4.33x2.76	BC-AGS-081107	BC-ATS-081107	BC-CGS-081107	BC-CTS-081107	BC-0811 ST	BC-0811 P
80x110x85	3.15x4.33x3.35	BC-AGS-081108	BC-ATS-081108	BC-CGS-081108	BC-CTS-081108	BC-0811 ST	BC-0811 P
80x130x70	3.15x5.12x2.76	BC-AGS-081307	BC-ATS-081307	BC-CGS-081307	BC-CTS-081307	BC-0813 ST	BC-0813 P
80x130x85	3.15x5.12x3.35	BC-AGS-081308	BC-ATS-081308	BC-CGS-081308	BC-CTS-081308	BC-0813 ST	BC-0813 P
80x180x70	3.15x7.09x2.76	BC-AGS-081807	BC-ATS-081807	BC-CGS-081807	BC-CTS-081807	BC-0818 ST	BC-0818 P
80x180x85	3.15x7.09x3.35	BC-AGS-081808	BC-ATS-081808	BC-CGS-081808	BC-CTS-081808	BC-0818 ST	BC-0818 P
80x250x70	3.15x9.84x2.76	BC-AGS-082507	BC-ATS-082507	BC-CGS-082507	BC-CTS-082507	BC-0825 ST	BC-0825 P
80x250x85	3.15x9.84x3.35	BC-AGS-082508	BC-ATS-082508	BC-CGS-082508	BC-CTS-082508	BC-0825 ST	BC-0825 P
80x160x55	3.15x6.30x2.17	BC-AGS-081605	BC-ATS-081605	BC-CGS-081605	BC-CTS-081605	BC-0816 ST	BC-0816 P
80x160x85	3.15x6.30x3.35	BC-AGS-081608	BC-ATS-081608	BC-CGS-081608	BC-CTS-081608	BC-0816 ST	BC-0816 P
100x100x75	3.94x3.94x2.95	BC-AGS-101007	BC-ATS-101007	BC-CGS-101007	BC-CTS-101007	BC-1010 ST	BC-1010 P
100x100x100	3.94x3.94x3.94	BC-AGS-101010	BC-ATS-101010	BC-CGS-101010	BC-CTS-101010	BC-1010 ST	BC-1010 P
100x185x70	3.94x7.28x2.76	BC-AGS-101807	BC-ATS-101807	BC-CGS-101807	BC-CTS-101807	BC-1018 ST	BC-1018P
100x200x70	3.94x7.87x2.76	BC-AGS-102007	BC-ATS-102007	BC-CGS-102007	BC-CTS-102007	BC-1020 ST	X
100x230x70	3.94x9.06x2.76	BC-AGS-102307	BC-ATS-102307	BC-CGS-102307	BC-CTS-102307	BC-1023 ST	X
125x125x75	4.92x4.92x2.95	BC-AGS-121207	BC-ATS-121207	BC-CGS-121207	BC-CTS-121207	BC-1212 ST	BC-1212 P
125x125x100	4.92x4.92x3.94	BC-AGS-121210	BC-ATS-121210	BC-CGS-121210	BC-CTS-121210	BC-1212 ST	BC-1212 P
125x175x75	4.92x6.89x2.95	BC-AGS-121707	BC-ATS-121707	BC-CGS-121707	BC-CTS-121707	BC-1217 ST	BC-1217 P
125x175x100	4.92x6.89x3.94	BC-AGS-121710	BC-ATS-121710	BC-CGS-121710	BC-CTS-121710	BC-1217 ST	BC-1217 P
140x230x95	5.51x6.69x3.74	BC-AGS-142309	BC-ATS-142309	BC-CGS-142309	BC-CTS-142309	BC-1423 ST	BC-1423 P
140x170x95	5.51x9.06x3.74	BC-AGS-141709	BC-ATS-141709	BC-CGS-141709	BC-CTS-141709	BC-1417 ST	BC-1417 P
150x150x75	5.91x5.91x2.95	BC-AGS-151507	BC-ATS-151507	BC-CGS-151507	BC-CTS-151507	BC-1515 ST	BC-1515 P
150x150x100	5.91x5.91x3.94	BC-AGS-151510	BC-ATS-151510	BC-CGS-151510	BC-CTS-151510	BC-1515 ST	BC-1515 P
150x200x75	5.91x7.87x2.95	BC-AGS-152007	BC-ATS-152007	BC-CGS-152007	BC-CTS-152007	BC-1520 ST	BC-1520 P
150x200x100	5.91x7.87x3.94	BC-AGS-152010	BC-ATS-152010	BC-CGS-152010	BC-CTS-152010	BC-1520 ST	BC-1520 P
150x200x130	5.91x7.87x5.12	BC-AGS-152013	BC-ATS-152013	BC-CGS-152013	BC-CTS-152013	BC-1520 ST	BC-1520 P
150x200x160	5.91x7.87x6.30	BC-AGS-152016	BC-ATS-152016	BC-CGS-152016	BC-CTS-152016	BC-2020 ST	BC-2020 P
150x250x100	5.91x9.84x3.94	BC-AGS-152510	BC-ATS-152510	BC-CGS-152510	BC-CTS-152510	BC-1525 ST	BC-1525 P
150x250x130	5.91x9.84x5.12	BC-AGS-152513	BC-ATS-152513	BC-CGS-152513	BC-CTS-152513	BC-1525 ST	BC-1525 P
160x160x70	6.30x6.30x2.76	BC-AGS-161607	BC-ATS-161607	BC-CGS-161607	BC-CTS-161607	BC-1616 ST	BC-1616 P
200x200x100	7.87x7.87x3.94	BC-AGS-202010	BC-ATS-202010	BC-CGS-202010	BC-CTS-202010	BC-2020 ST	BC-2020 P
200x200x130	7.87x7.87x5.12	BC-AGS-202013	BC-ATS-202013	BC-CGS-202013	BC-CTS-202013	BC-2020 ST	BC-2020 P
200x200x160	7.87x7.87x6.30	BC-AGS-202016	BC-ATS-202016	BC-CGS-202016	BC-CTS-202016	BC-2020 ST	BC-2020 P
190x190x130	7.48x7.48x5.12	BC-AGS-191913	BC-ATS-191913	BC-CGS-191913	BC-CTS-191913	BC-1919 ST	BC-1919 P
190x280x130	7.48x11.02x5.12	BC-AGS-192813	BC-ATS-192813	BC-CGS-192813	BC-CTS-192813	BC-1928 ST	BC-1928 P
190x280x180	7.48x11.02x7.09	BC-AGS-192818	BC-ATS-192818	BC-CGS-192818	BC-CTS-192818	BC-1928 ST	BC-1928 P
190x380x130	7.48x14.96x5.12	BC-AGS-193813	BC-ATS-193813	BC-CGS-193813	BC-CTS-193813	BC-1938 ST	BC-1938 P
190x380x180	7.48x14.96x7.09	BC-AGS-193818	BC-ATS-193818	BC-CGS-193818	BC-CTS-193818	BC-1938 ST	BC-1938 P
280x280x130	11.02x11.02x5.12	BC-AGS-282813	BC-ATS-282813	BC-CGS-282813	BC-CTS-282813	BC-2828 ST	BC-2828 P
280x340x130	11.02x13.39x5.12	BC-AGS-283413	BC-ATS-283413	BC-CGS-283413	BC-CTS-283413	BC-2834ST	BC-2834 P
280x380x130	11.02x14.96x5.12	BC-AGS-283813	BC-ATS-283813	BC-CGS-283813	BC-CTS-283813	BC-2838 ST	BC-2838 P
280x380x180	11.02x14.96x7.09	BC-AGS-283818	BC-ATS-283818	BC-CGS-283818	BC-CTS-283818	BC-2838 ST	BC-2838 P
280x560x130	11.02x22.05x5.12	BC-AGS-285613	BC-ATS-285613	BC-CGS-285613	BC-CTS-285613	BC-2856 ST	X
330x430x180	12.99x16.93x7.09	BC-AGS-334318	BC-ATS-334318	BC-CGS-33438	BC-CTS-334318	BC-3343 ST	X
380x560x180	14.96x22.05x7.09	BC-AGS-385618	BC-ATS-385618	BC-CGS-385618	BC-CTS-385618	BC-3856 ST	X

Non-Metallic Enclosures

Screw Bolt Type M-Series



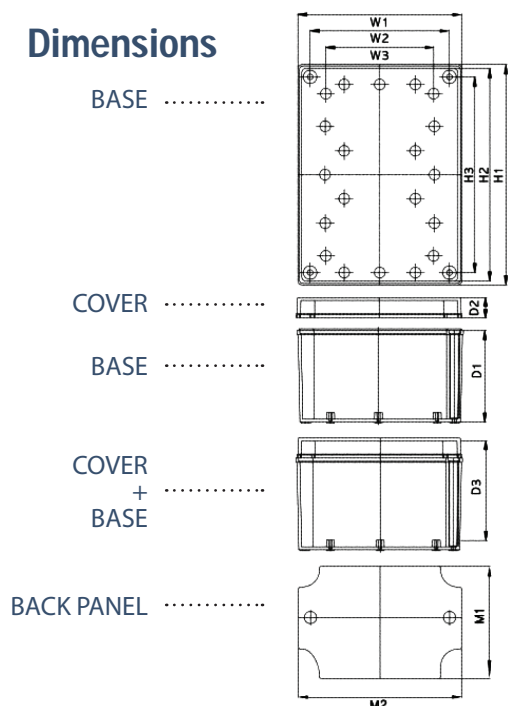
Features

Protection level	IP66/67, IK07/08
Technical	Lower center surface for membrane keyboard attachment Gray or transparent cover Lower cover + Tall base
Certifications	UL508 on Polycarbonate products
Color	Light gray, Transparent(Cover only)
Temperature range	ABS: -40°C to 86°C (-40°F to 185°F) UL94-HB Non-Flammable Polycarbonate: -40°C to 120°C (-40°F to 248°F) UL94-HB(Transparent) Non-Flammable UL94-V-0~5VA(Gray) Non-Flammable

Size and Part Numbers

SIZE (including cover)		MODEL				Back panel	
W * L * H (unit :mm)	W * L * H (unit :inch)	ABS		Polycarbonate		steel 1.6mm	plastic 3mm above
		gray cover	transparency cover	gray cover	transparency cover		
80x130x35	3.15x5.12x1.38	BC-AGM-081303	BC-ATM-081303	BC-CGM-081303	BC-CTM-081303	BC-0813 S	
80x130x60	3.15x5.12x2.36	BC-AGM-081306	BC-ATM-081306	BC-CGM-081306	BC-CTM-081306	BC-0813 S	
80x130x75	3.15x5.12x2.95	BC-AGM-081307	BC-ATM-081307	BC-CGM-081307	BC-CTM-081307	BC-0813 S	
80x130x85	3.15x5.12x3.35	BC-AGM-081308	BC-ATM-081308	BC-CGM-081308	BC-CTM-081308	BC-0813 S	
80x130x100	3.15x5.12x3.94	BC-AGM-081310	BC-ATM-081310	BC-CGM-081310	BC-CTM-081310	BC-0813 S	
80x130x125	3.15x5.12x4.92	BC-AGM-081312	BC-ATM-081312	BC-CGM-081312	BC-CTM-081312	BC-0813 S	
130x130x35	5.12x5.12x1.38	BC-AGM-131303	BC-ATM-131303	BC-CGM-131303	BC-CTM-131303	BC-1313 S	
130x130x60	5.12x5.12x2.36	BC-AGM-131306	BC-ATM-131306	BC-CGM-131306	BC-CTM-131306	BC-1313 S	
130x180x35	5.12x7.09x1.38	BC-AGM-131803	BC-ATM-131803	BC-CGM-131803	BC-CTM-131803	BC-1318 S	BC-1318 P
130x180x60	5.12x7.09x2.36	BC-AGM-131806	BC-ATM-131806	BC-CGM-131806	BC-CTM-131806	BC-1318 S	BC-1318 P
150x180x60	5.91x7.09x2.36	BC-AGM-151806	BC-ATM-151806	BC-CGM-151806	BC-CTM-151806	BC-1518 S	
180x180x60	7.09x7.09x2.36	BC-AGM-181806	BC-ATM-181806	BC-CGM-181806	BC-CTM-181806	BC-1818 S	
180x180x75	7.09x7.09x2.95	BC-AGM-181807	BC-ATM-181807	BC-CGM-181807	BC-CTM-181807	BC-1818 S	
180x180x100	7.09x7.09x3.94	BC-AGM-181810	BC-ATM-181810	BC-CGM-181810	BC-CTM-181810	BC-1818 S	
180x180x125	7.09x7.09x4.92	BC-AGM-181812	BC-ATM-181812	BC-CGM-181812	BC-CTM-181812	BC-1818 S	
180x255x75	7.09x10.04x2.95	BC-AGM-182507	BC-ATM-182507	BC-CGM-182507	BC-CTM-182507	BC-1825 S	
180x255x100	7.09x10.04x3.94	BC-AGM-182510	BC-ATM-182510	BC-CGM-182510	BC-CTM-182510	BC-1825 S	
180x255x125	7.09x10.04x4.92	BC-AGM-182512	BC-ATM-182512	BC-CGM-182512	BC-CTM-182512	BC-1825 S	

Dimensions



Size	Enclosures									Back panel	
	W1	W2	W3	H1	H2	H3	D1	D2	D3	M1	M2
80x130x35	80	62	40	130	112	90	25	10	21.5	(49)	(98)
80x130x60	80	62	40	130	112	90	50	10	46.5	(49)	(98)
80x130x75	80	60	40	130	112	90	65	10	61.5	(49)	(98)
80x130x85	80	62	40	130	112	90	50	35	71.5	(49)	(98)
80x130x100	80	62	40	130	112	90	90	10	87.5	(49)	(98)
80x130x125	80	112	40	130	112	90	90	35	111.5	(49)	(98)
130x130x35	130	112	90	130	112	90	25	10	21.5	(98)	(98)
130x130x60	130	112	90	130	112	90	50	10	46.5	(98)	(98)
130x180x35	130	112	90	180	162	140	25	10	21.5	113	161
130x180x60	130	132	90	180	162	140	50	10	46.5	113	161
150x180x60	150	162	110.5	180	162	140	50	10	45.5	(123)	(161)
180x180x60	180	162	110.5	180	162	140	50	10	45.5	(148)	(148)
180x180x75	180	162	140	180	162	140	65	10	59.5	(148)	(148)
180x180x100	180	162	140	180	162	140	90	10	84.5	(148)	(148)
180x180x125	180	162	140	180	162	140	115	10	109.5	(148)	(148)
180x255x75	180	162	140	255	237	201.5	50	15	59.5	(148)	(223)
180x255x100	180	162	140	255	237	201.5	85	15	84.5	(148)	(223)
180x255x125	180	162	140	255	237	201.5	110	15	109.5	(148)	(223)

Non-Metallic Enclosures

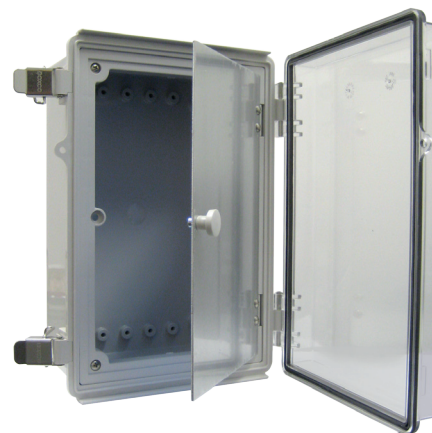
Dual Door Series

Features

Protection level	IP66/67, IK07/08
Technical	Pre-assembled cover and transparent window Built-in hinge and stainless steel latch Detachable cover for easy access Built-in Key ring
Certifications	UL508 on Polycarbonate products
Color	Light gray, Transparent(Window only)
Temperature range	ABS: -40°C to 86°C (-40°F to 185°F) UL94-HB Non-Flammable Polycarbonate: -40°C to 120°C (-40°F to 248°F) UL94-HB(Transparent) Non-Flammable UL94-V-0~5VA(Gray) Non-Flammable



AGD/CGD Type



ATF/CTF Type



Part Numbers and Size

Model		Size		Back Panel	
ABS	Polycarbonate	unit: mm	unit: inches	Steel 1.6mm	Plastic 3mm
BC-ATF-203013	BC-CTF-203013	200 x 300 x 130	7.87 x 11.81 x 5.12	BC-2030ST	BC-2030P
BC-ATF-203015	BC-CTF-203015	200 x 300 x 150	7.87 x 11.81 x 5.90	BC-2030ST	BC-2030P
BC-ATF-203018	BC-CTF-203018	200 x 300 x 180	7.87 x 11.81 x 7.09	BC-2030ST	BC-2030P
BC-ATF-253515	BC-CTF-253515	250 x 350 x 150	9.84 x 13.78 x 5.9	BC-2535ST	BC-2535P
BC-ATF-253518	BC-CTF-253518	250 x 350 x 180	9.84 x 13.78 x 7.09	BC-2535ST	BC-2535P
BC-ATF-282813	BC-CTF-282813	280 x 380 x 130	11.02 x 11.02 x 5.12	BC-2828ST	BC-2828P
BC-ATF-283813	BC-CTF-283813	280 x 380 x 130	11.02 x 14.96 x 5.12	BC-2838ST	BC-2828P
BC-ATF-303015	BC-CTF-303015	300 x 300 x 150	11.81 x 11.81 x 5.9	BC-3030ST	BC-3030P
BC-ATF-303018	BC-CTF-303018	300 x 300 x 180	11.81 x 11.81 x 7.09	BC-3030ST	BC-3030P
BC-ATF-304015	BC-CTF-304015	300 x 400 x 150	11.81 x 15.75 x 5.9	BC-3040ST	BC-3040P
BC-ATF-304018	BC-CTF-304018	300 x 400 x 180	11.81 x 15.75 x 7.09	BC-3040ST	BC-3040P
BC-ATF-354516	BC-CTF-354516	350 x 450 x 160	13.78 x 17.72 x 6.23	BC-3545ST	BC-3545P
BC-ATF-354520	BC-CTF-354520	350 x 450 x 200	13.78 x 17.72 x 7.87	BC-3545ST	BC-3545P
BC-ATF-405016	BC-CTF-405016	400 x 500 x 160	15.75 x 19.69 x 6.23	BC-4050ST	BC-4050P
BC-ATF-405020	BC-CTF-405020	400 x 500 x 200	15.75 x 19.69 x 7.87	BC-4050ST	BC-4050P
BC-ATF-406018	BC-CTF-406018	400 x 600 x 180	15.75 x 23.62 x 7.09	BC-4060ST	BC-4060P
BC-ATF-406023	BC-CTF-406023	400 x 600 x 230	15.75 x 23.62 x 9.05	BC-4060ST	BC-4060P
BC-ATF-536318	BC-CTF-506018	530 x 630 x 185	20.86 x 24.8 x 7.28	BC-5363ST	BC-5363P
BC-ATF-536325	BC-CTF-506025	530 x 630 x 255	20.86 x 24.8 x 10.04	BC-5363ST	BC-5363P
BC-AGD-253516	BC-CGD-253516	250 x 350 x 160	9.84 x 13.77 x 6.29	BC-2535ST	BC-2535P
BC-AGD-253519	BC-CGD-253519	250 x 350 x 190	9.84 x 13.77 x 7.48	BC-2535ST	BC-2535P
BC-AGD-354513	BC-CGD-354513	350 x 450 x 130	13.77 x 17.12 x 5.11	BC-3545ST	BC-3545P
BC-AGD-354517	BC-CGD-354517	350 x 450 x 170	13.77 x 17.12 x 6.69	BC-3545ST	BC-3545P
BC-AGD-354521	BC-CGD-354521	350 x 450 x 210	13.77 x 17.12 x 8.26	BC-3545ST	BC-3545P



Assembly of Dual Door Kits

Aluminum Enclosures



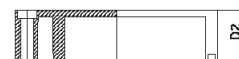
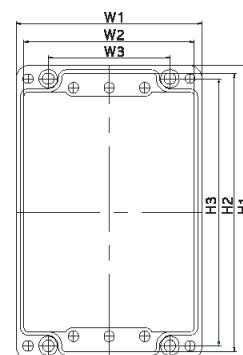
Part Numbers and Size

MODEL	SIZE (including cover)		Back panel
	W * L * H (unit :mm)	W * L * H (unit : inch)	
BC-AL-061003	64 x 98 x 34	2.52 x 3.86 x 1.34	BC-0610A
BC-AL-080806	80 x 75 x 57	3.15 x 2.95 x 2.24	BC-0808A
BC-AL-081306	80 x 125 x 57	3.15 x 5.00 x 2.24	BC-0813A
BC-AL-081806	80 x 175 x 57	3.15 x 6.89 x 2.05	BC-0818A
BC-AL-082506	80 x 250 x 57	3.15 x 9.84 x 2.05	BC-0825A
BC-AL-101008	100 x 100 x 80	3.94 x 3.94 x 3.15	BC-1010A
BC-AL-101608	100 x 160 x 80	3.94 x 7.87 x 3.15	BC-1016A
BC-AL-121208	120 x 122 x 80	4.72 x 4.80 x 3.15	BC-1212A
BC-AL-122208	120 x 220 x 80	4.72 x 4.80 x 3.15	BC-1222A
BC-AL-122209	120 x 220 x 90	4.72 x 4.80 x 3.54	BC-1222A
BC-AL-131509	150 x 132 x 90	5.90 x 5.19 x 3.54	BC-1315A
BC-AL-161609	160 x 160 x 90	6.30 x 6.30 x 3.54	BC-1616A
BC-AL-162609	160 x 260 x 90	6.30 x 10.24 x 3.54	BC-1626A
BC-AL-181810	180 x 180 x 100	7.09 x 7.09 x 3.94	BC-1818A
BC-AL-232011	230 x 200 x 110	9.06 x 7.87 x 4.33	BC-2320A

Dimensions

(unit: mm)

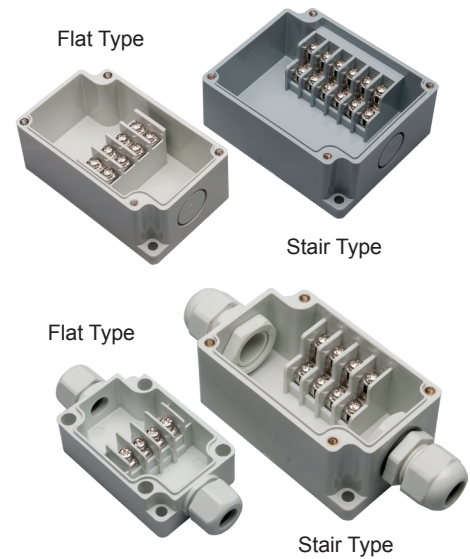
Size	W1	W2	W3	H1	H2	H3	D1	D2
64 x 98 x 34	68	57.8	36	98	91.8	86	25	9
80 x 75 x 57	75	67	63	80	72	52	42	15
80 x 125 x 57	80	72	52	125	117	113	42	15
80 x 175 x 57	80	72	52	175	167	16	42	15
80 x 250 x 57	80	72	52	250	242	238	40	12
100 x 100 x 80	100	92	66	100	92	86	61	20
100 x 160 x 80	100	92	66	160	152	146	61	20
120 x 122 x 80	120	111	82	122	113	106	61	20
120 x 220 x 80	120	111	82	220	211	204	61	30
120 x 220 x 90	120	111	82	220	211	204	61	30
150 x 132 x 90	132	121	92	150	144	138	70	20
160 x 160 x 90	160	151	110	160	151	140	71	20
160 x 260 x 90	160	151	110	260	251	240	71	20
180 x 180 x 100	180	171	130	180	171	160	71	30
230 x 200 x 110	230	230	140	200	193	150	91	20



Non-Metallic Terminal Block Box

Part Number	Outside Dimension for Body + Cover (W x L x D)			Number of Pins	Terminal Layout
	Unit :mm	Unit : inch	Knock-Out		
BC-A *-4P	55 x 91 x 43	2.17 x 3.58 x 1.69	Ø21	4	Flat
BC-A -4PH	50 x 82 x 43	1.92 x 3.23 x 1.69	Ø21	4	Stair
BC-A -4PT	65 x 74 x 43	2.56 x 2.91 x 1.69	Ø21	4	Stair
BC-A -6PH	55 x 91 x 43	2.17 x 3.58 x 1.69	Ø21	6	Stair
BC-A -6PT	75 x 97 x 43	2.95 x 3.58 x 1.69	Ø21	6	Stair
BC-A -6P	75 x 97 x 43	2.95 x 3.58 x 1.69	Ø21	6	Flat
BC-A -10PT	75 x 125 x 43	2.95 x 4.92 x 1.69	Ø21	10	Stair
BC-A -15PT	100 x 185 x 70	3.94 x 7.28 x 2.76	-	15	Stair
BC-A -15P	100 x 200 x 70	3.94 x 7.87 x 2.76	-	15	Flat
BC-A -20P	100 x 230 x 70	3.94 x 9.06 x 2.76	-	20	Flat
BC-A -20PT	100 x 230 x 70	3.94 x 9.06 x 2.76	-	20	Stair
BC-A -20PA	160 x 160 x 70	6.30 x 6.30 x 2.76	-	20	2 Line Stair
BC-A -20P-2	160 x 160 x 70	6.30 x 6.30 x 2.76	-	20	2 Line Flat
Part Number	Unit: mm	Unit: Inch	Assembled Cable Gland	-	Terminal Layout
BC-PBT-4P	40 x 60 x 24 x 9.2	1.57 x 2.36 x 0.94	2 x PG9	4	Flat
BC-AB-4P11	50 x 82 x 43	1.97 x 3.23 x 1.69	2 x PG11	4	Stair
BC-AB-4P1113	50 x 82 x 43	1.97 x 3.23 x 1.69	PG11/PG13	4	Stair
BC-AB-4P13	50 x 82 x 43	1.97 x 3.23 x 1.69	2 x PG13	4	Stair
BC-PBT-6P	50 x 70 x 24	1.96 x 2.75 x 0.94	2 x PG9	6	Flat
BC-AB-6P11	55 x 91 x 43	2.17 x 3.58 x 1.69	2 x PG11	6	Stair
BC-AB-6P1113	55 x 91 x 43	2.17 x 3.58 x 1.69	PG11/PG13	6	Stair
BC-AB-6P13	55 x 91 x 43	2.17 x 3.58 x 1.69	2 x PG13	6	Stair

*Color options available between AB and AG



Protection level

IP66/67, IK07/08

Temperature range

ABS: -40°C to 86°C (-40°F to 185°F)

UL94-HB Non-Flammable

Polycarbonate: -40°C to 120°C (-40°F to 248°F)

UL94-HB(Transparent) Non-Flammable

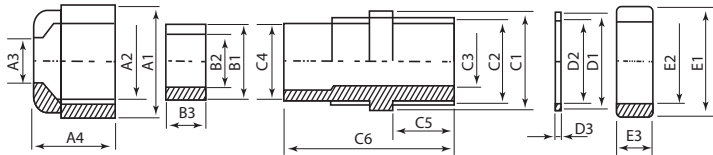
UL94-V-0~5VA(Gray) Non-Flammable

Aluminum Terminal Block Box

Model No.	Size (including cover)	
	W x L x H (Unit :mm)	W x L x H (Unit : inch)
BC-AL-5P-T	80 x 75 x 65	3.15 x 2.95 x 2.56
BC-AL-6P	80 x 75 x 65	3.15 x 2.95 x 2.56
BC-AL-9P	100 x 100 x 80	3.94 x 3.94 x 3.15
BC-AL-10P-T	80 x 125 x 65	3.15 x 4.92 x 2.56
BC-AL-15P-T	100 x 160 x 80	3.94 x 6.30 x 3.15
BC-AL-15P	100 x 160 x 80	3.94 x 6.30 x 3.15
BC-AL-20P-T	120 x 220 x 80	4.72 x 8.66 x 3.15
BC-AL-20P	120 x 220 x 80	4.72 x 8.66 x 3.15
BC-AL-20P-AS	150 x 132 x 90	5.90 x 5.19 x 3.54
BC-AL-20P-A	160 x 160 x 90	6.30 x 6.30 x 3.54
BC-AL-20P-2	160 x 160 x 90	6.30 x 6.30 x 3.54
BC-AL-25P-T	160 x 260 x 90	6.30 x 10.24 x 3.54
BC-AL-30P-A	180 x 180 x 100	7.09 x 7.09 x 3.94
BC-AL-30P-AS	120 x 220 x 80	4.72 x 8.66 x 3.15
BC-AL-30P-2	230 x 200 x 110	9.06 x 7.87 x 4.33
BC-AL-40P-A	160 x 260 x 90	6.30 x 10.24 x 3.54
BC-AL-40P-2	160 x 260 x 90	6.30 x 10.24 x 3.54
BC-AL-45P-3	230 x 200 x 110	9.06 x 7.87 x 4.33
BC-AL-50P-A	160 x 260 x 90	6.30 x 10.24 x 3.54



Cable Glands



Part Numbers and Size

SIZE CABLE Ømm	MODEL	
	Beige	Black
3.5 ~ 6	BC-PG-7 -G	BC-PG-7 -B
4 ~ 8	BC-PG-9 -G	BC-PG-9 -B
4 ~ 8	BC-3/8" NPT - G	BC-3/8" NPT - B
5 ~ 10	BC-PG-11 -G	BC-PG-11 -B
6 ~ 12	BC-PG-13.5 -G	BC-PG-13.5 -B
6 ~ 12	BC-1/2" NPT - G	BC-1/2" NPT - B
10 ~ 14	BC-PG-16 -G	BC-PG-16 -B
12 ~ 15	BC-PG-19 -G	BC-PG-19 -B
13 ~ 18	BC-PG-21 -G	BC-PG-21 -B
13 ~ 18	BC-3/4" NPT - G	BC-3/4" NPT - B
15 ~ 19	BC-PG-25 -G	BC-PG-25 -B
18 ~ 25	BC-PG-29 -G	BC-PG-29 -B
18 ~ 25	BC-1" NPT - G	BC-1" NPT - B
18 ~ 25	BC-1 1/4" NPT - G	BC-1 1/4" NPT - B
22 ~ 32	BC-PG-36 -G	BC-PG-36 -B
22 ~ 32	BC-1 1/2" NPT - G	BC-1 1/2" NPT - B
30 ~ 38	BC-PG-42 -G	BC-PG-42 -B
34 ~ 44	BC-PG-48 -G	BC-PG-48 -B
42 ~ 50	BC-PG-63 -G	BC-PG-63 -B

NPT Series Specifications

Material PL (Nylon), UL94

Hermetic Seal NBR

Working Temperature

-40°C to 100°C (-40°F to 212°F) in static state instantaneous heat resistance up to 120°C

-20°C to 80°C (-4°F to 176°F) in dynamic state - Instantaneous heat resistance up to 100°C

Dimensions

Unit: mm

Part Number	Ømm (cable)	A1	A2	A3	A4	B1	B2	B3	C1	C2	C3	C4	C5	C6	D1	D2	D3	E1	E2	E3
BC-PG-7	3.5~6	17	12.5	7	15.5	8	6	7.5	17.5	12	8	8.5	8	29	17	11	1.5	19.5	12	5
BC-PG-9	4~8	20.5	15.5	8.5	15	10.5	8	8.5	21	16	11	10.5	8	31.5	21	15.5	1.5	24	15.5	5
BC-PG-11	5~10	24	18.5	10.5	16.5	13.5	9.5	8.5	24	18	14	14	8	33	24	18	1.5	26	18	5
BC-PG-13.5	6~12	26.5	20.5	12.5	18.5	15.5	11.5	7.5	26	20	16	16	9	33.5	26	20	1.5	29	21.5	5.5
BC-PG-16	10~14	29.5	22.5	14	18	17	13	9	29.5	22	17.5	18	10	36	29.5	21.5	1.5	32.5	22.5	6
BC-PG-19	12~15	30	24.5	16	20	18	15	8.5	30	23.5	18.5	18.5	10	37	30	23	1.5	33	24.5	6
BC-PG-21	13~18	36	29.5	18	23	21	17	10.5	36	28	22	22.5	10	41	36	27.5	1.5	39	27.5	6.5
BC-PG-25	15~19	39	31	20.5	21	23	19	11	39	29.5	24	24	11	41	39	28.5	1.5	40	30	7
BC-PG-29	18~25	45.5	37	25	25.5	29.5	24.5	14	45	36.5	30.5	30.5	12	46.5	45	36	1.5	49.5	37	7.2
BC-PG-36	22~32	59	48.5	32	29.5	39	32.5	16	57.5	46.5	39.5	39.5	13.5	55	57.5	45	1.5	64.5	47	7.5
BC-PG-42	30~38	67.5	56	38	30	46.5	39	16.5	66	53.5	47.5	45.5	14.5	56.5	66	52.5	2	69	54	7.9
BC-PG-48	34~44	72	60.5	43.5	29.5	50	44	16.5	70.5	58.5	52	51	14	56.5	69.5	57.5	2	76	59	7.9
BC-PG-63	42~50	76	67.2	49.7	39.8	60	53.3	18.8	76.5	70	61	58	27	77	70	65	3	81	68	9.2

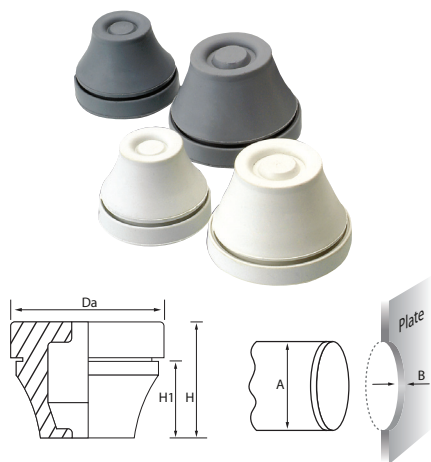
Bend Proof Cable Glands

Part number	Cable Range(mm)	Screw width(A: mm)	Panel Mounting Hole
BC-BP-PG 7	3 ~ 5.5	12.5	12.5 ~ 12.8
BC-BP-PG 9	8 ~ 4.5	15.2	15.2 ~ 15.5
BC-BP-PG 11	6 ~ 10	18.6	18.6 ~ 18.9
BC-BP-PG 13.5	7 ~ 12.5	20.4	20.4 ~ 20.7
BC-BP-PG 16	8.5 ~ 14	22.5	22.5 ~ 22.8
BC-BP-PG 21	12.5 ~ 18	28.3	28.3 ~ 28.7

Unit: mm



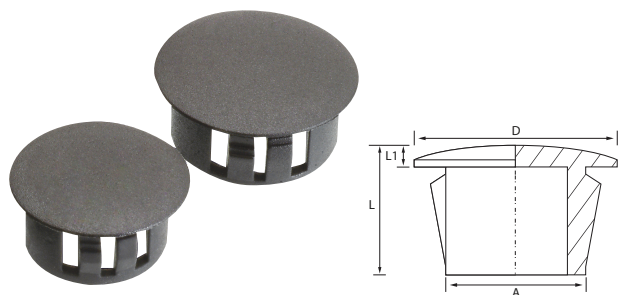
Rubber Grommet



Part number	Thread AD(mm)	Φmm (cable)	A (mm)	B (mm)	Da (mm)	H (mm)	H1 (mm)
BC-RG-PG 7	12.5	3~5	13	0.5~2	20	12.6	5.4
BC-RG-PG 9	15.2	5~7	16	1~4	21	17.8	10.3
BC-RG-PG11	18.6	7~10	19	1~4	24	19.8	12.7
BC-RG-PG16	22.5	10~14	23	1~4	28	21.6	14.7
BC-RG-PG21	28.3	14~20	29	1~4	35	24.6	17.6
BC-RG-PG29	37	20~26	38	1~4	46	28.5	20
BC-RG-PG36	47	26~35	48	1~4	58	34.9	23.9

Unit: mm

Hole Plug



Unit: mm

Part number	A	D	L1	L
BC-HP-PG 8	7.8	11.9	1.6	8
BC-HP-PG10	9.5	13	1.6	10.5
BC-HP-PG13	12.7	16.9	1.6	10.5
BC-HP-PG16	15.9	19.8	1.6	10.5
BC-HP-PG19	19	22.9	1.6	10.5
BC-HP-PG22	22.2	24.9	1.6	11.5
BC-HP-PG26	25.5	28.3	1.6	11.5
BC-HP-PG30	30	34.2	1.6	11.5

Ventilators



Material
PC(BC-CG), ABS(BC-AG)

Temperature range

ABS: -40°C to 86°C (-40°F to 185°F)

PC: -40°C to 120°C (-40°F to 248°F)

Flame Resistance

PC: V-0~5VA

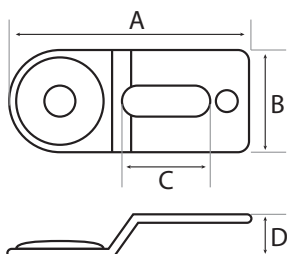
ABS: 94-HB

Unit: mm

Part number	A	Cut Out (B)	Fan Size
BC-AG-V60 BC-CG-V60	50 ±0.3mm	63 ~ 65Φ	60Φ
BC-AG-V80 BC-CG-V80	71.5 ±0.3mm	88 ~ 90Φ	80Φ



Wall Mounting Bracket



Unit: mm

Part number	A	B	C	D
B40	43	18	14	6
B50	49	22	14	7
B60	58	25	16	9