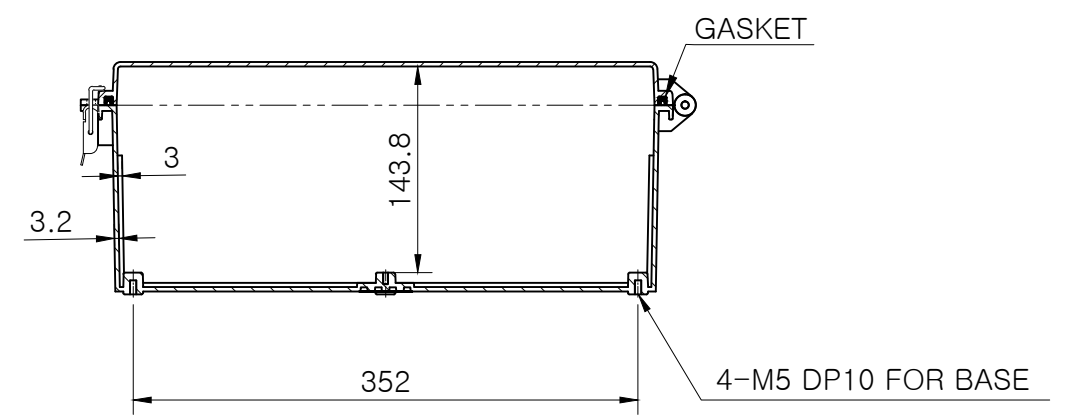
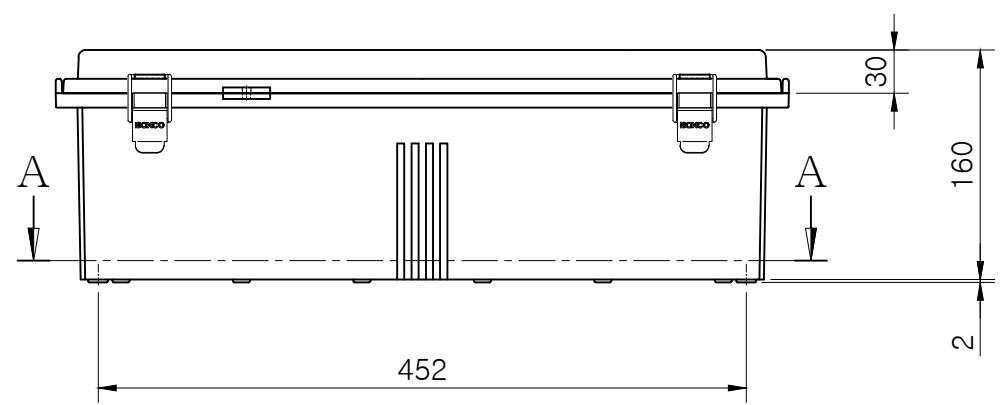


SECTION A-A



SECTION B-B

Note.

| | | | | | | | | |
|-----------------|-----------------|------------------|--|-------------|-----------|----------|---------------|-----|
| MODEL (모델) | BC-□□P-405016 | | | D R (제도) | JUNG,Y.J. | 16.04.28 | UNIT (단위) | mm |
| ASSY (완성 규격) | 401 * 501 * 160 | | | C K (검도) | PARK,Y.J. | 16.04.28 | SCALE (척도) | 1:5 |
| DWG NO (도번) | P-405016-03 | MATERIAL (재질) | | A P (승인) | KIM,D.S. | 16.04.29 | REV. (개정) | 0 |

