

DIN-Rail CC Decoder

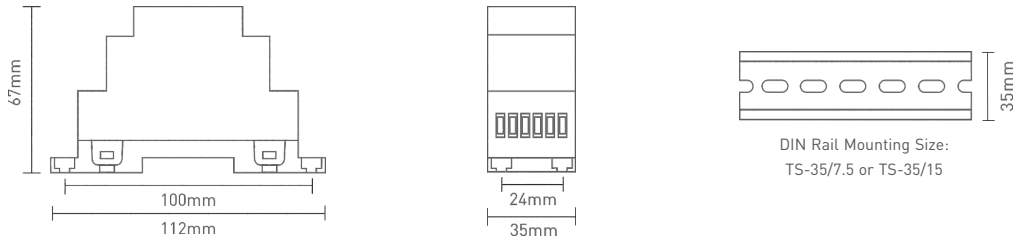
- Dimming interface: DMX512, RDM.
- PWM digital dimming, no alter LED color rendering index.
- Dimming range: 0~100%, LED start at 0.1% possible.
- 4CH output, 350mA per channel.
- Full protective plastic housing.
- Suitable for indoor environments.



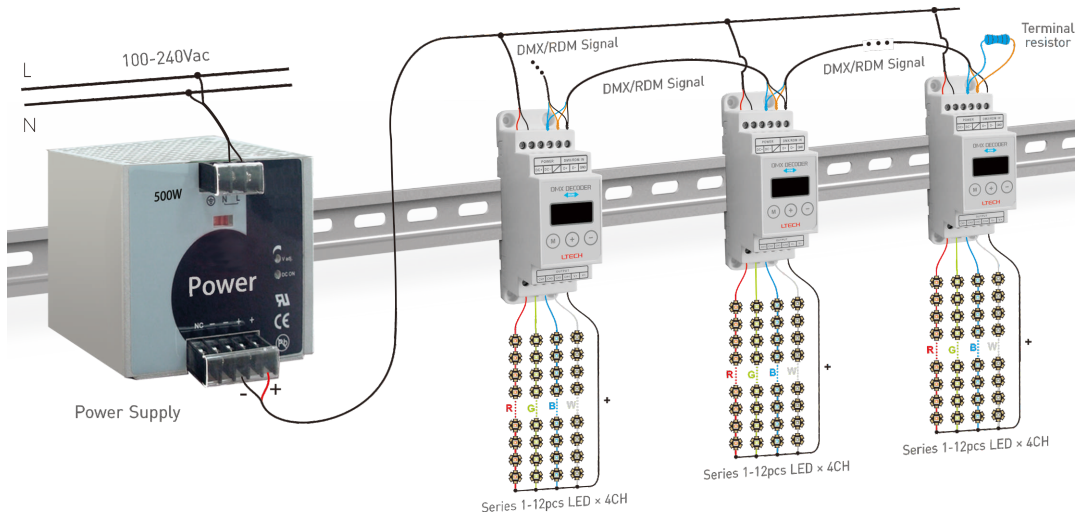
Main Characteristics

Dimming Interface:	DMX512, RDM	Mounting:	DIN-Rail or Screw
Input Voltage:	12~48Vdc	DIN Rail Mounting Size:	TS-35/7.5 or TS-35/15
Output Voltage:	3~46Vdc	Working Temperature:	-30°C~55°C
Output Current:	350mA×4CH	Product Size:	L112×W35×H67(mm)
Output Power:	1.05W~16.1W×4CH Max. 64.4W	Package Size:	L114×W37×H70(mm)
Dimming Range:	0~100%	Weight(G.W.):	135g

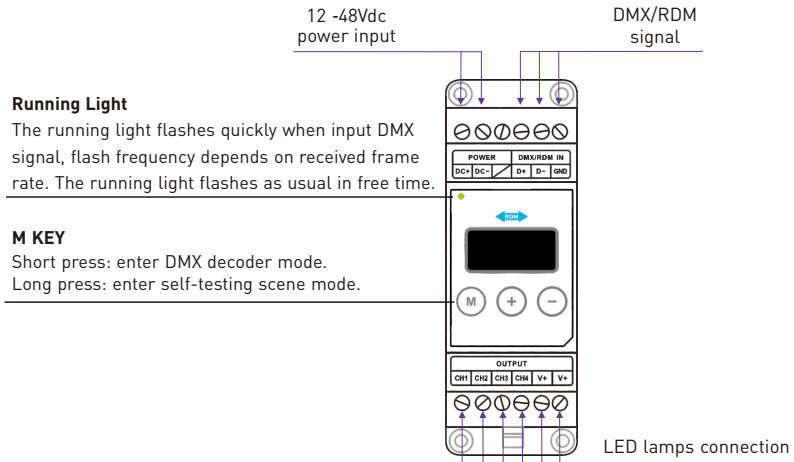
Dimensions



Wiring Diagram



- * An amplifier is needed when more than 32 decoders are connected, signal amplification should not be more than 5 times continuously.
- * If the recoil effect occurs because of longer signal line or bad line quality, please try to connect 0.25W 90-120Ω terminal resistor at the end of each line.



Running Light

The running light flashes quickly when input DMX signal, flash frequency depends on received frame rate. The running light flashes as usual in free time.

M KEY

Short press: enter DMX decoder mode.
Long press: enter self-testing scene mode.

DMX Decoder Mode.

Address Setting: In DMX Decoder Mode, first press "+" or "-" key to enter address setting.

Changing the DMX initial address when the 3 address value start to flicker. (Range: 001-512)

- ⊕ : Short press to add one more address, long press to add quickly.
- ⊖ : Short press to subtract one more address, long press to subtract quickly.
- Ⓜ : Short press to quit.



Long press Ⓜ and ⊕ key at the same time, set the brightness output to linearity curve [C-L].



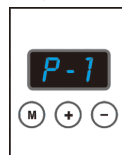
Long press Ⓜ and ⊖ key at the same time, set the brightness output to Gamma curve [C-E]



Long press ⊕ and ⊖ key at the same time, check the present luminosity curve.

Self-testing Scene Mode.

Long press "M" key to enter self-testing scene mode.



Switch changing modes by pressing ⊕ ⊖ key.

NO.	Digital Tube Display (press +/- to switch)	MODE
1	P-1	Static RED
2	P-2	Static Green
3	P-3	Static Blue
4	P-4	Static Yellow
5	P-5	Static Purple
6	P-6	Static Cyan
7	P-7	Static White
8	P-8	7 Color Skipping
9	P-9	7 Color Smooth

Restore the Default Parameter:

Long press Ⓜ ⊕ ⊖ keys at the same time, Restore the default parameter, digital tube display "RES".

Default Parameters: DMX decoder mode, DMX base address is 1, Gamma curve, self-test in No.1 pattern status.

