

LT-454-5A DALI LED Dimming Driver



DALI is a popular national standard protocol in the lighting control field at present with overall, grouping, addressable dimming and lighting scene functions etc.. DALI protocol bus control is widely used because it's simple, reliable, superior and so on.

LT-454-5A, CV DALI dimming driver, adopts the latest DALI standard IEC62386(IEC60929 compatible), supports computer connection and individual setting. No computer software or DALI editor is needed when being used independently. Through OLED display, it can support manual addressing, grouping and scenario editing, which is super convenient for project installation.

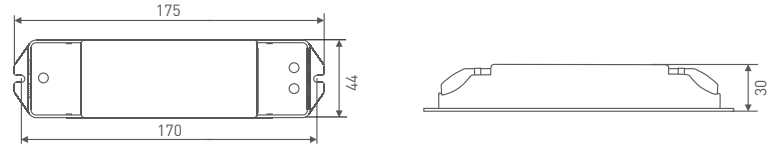
LT-454-5A is compatible with all major manufacturers of DALI devices such as Lutron, Dyalnite, Tridonic, Schneider, Clipsal, Osram, Philips, Helar, ABB etc.

1. Product Parameter:

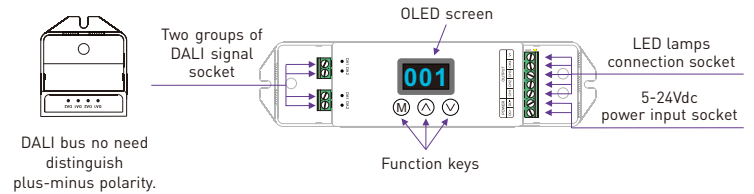
LT-454-5A DALI LED dimmer

Input Signal:	DALI (IEC62386/IEC60929)	Working Temp.:	-30℃~55℃
Input Voltage:	5~24Vdc	Dimensions:	L175×W44×H30(mm)
Current Load:	5A × 4CH / 6A × 3CH Max. 20A	Package Size:	L178×W48×H33(mm)
Output Power:	(0~25W...120W) × 4CH Max. 480W	Weight(G.W.):	165g
Dimming Range:	0.1~100%		

2. Product Size:

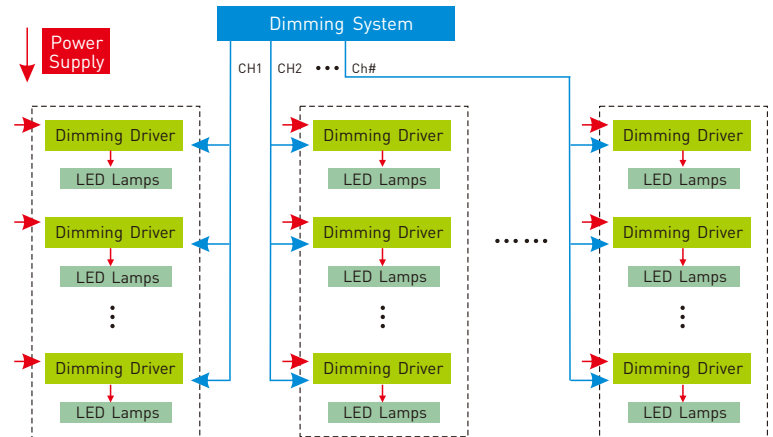


3. Terminal Description:

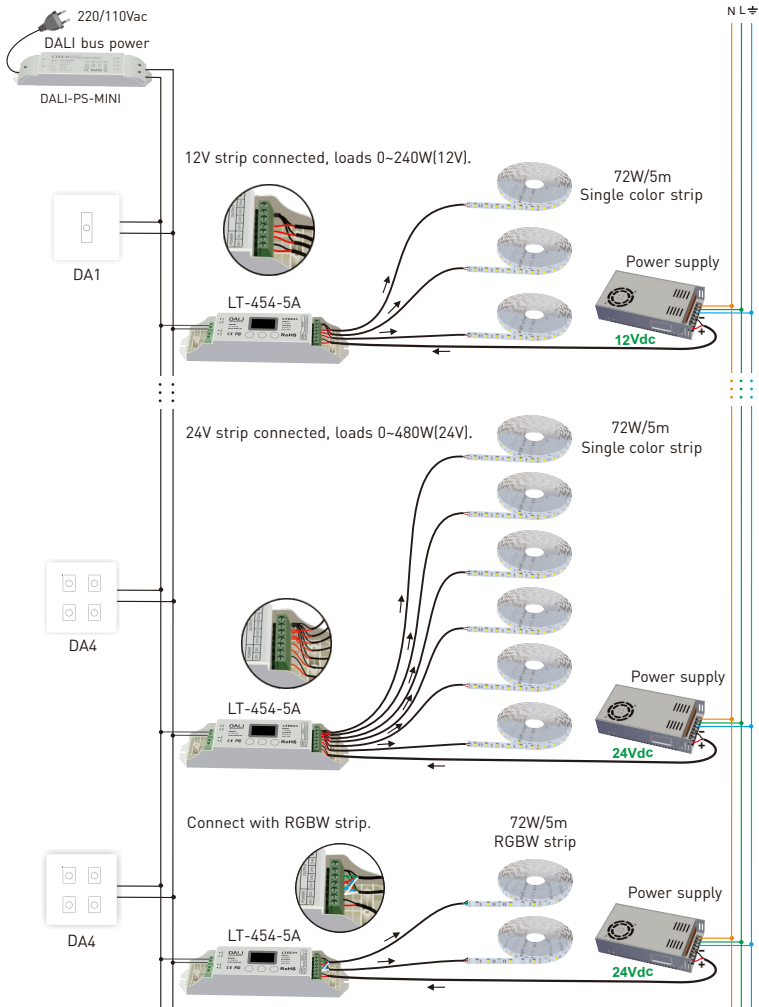


4. Wiring Diagram:

4.1 System connection diagram:



4.2 Connect with single color or RGBW strips.



5. OLED Screen Interface Diagram:

