

LT-3637 Common Anode to Common Cathode LED Power Repeater



The connection for most conventional LED light is common anode; only quite a small number is common cathode. In order to suit LED lights with common cathode, we particularly developed this special power repeater. Its major function is to convert from common anode to common cathode, the input signal is PWM common anode signal, and the output is common cathode.

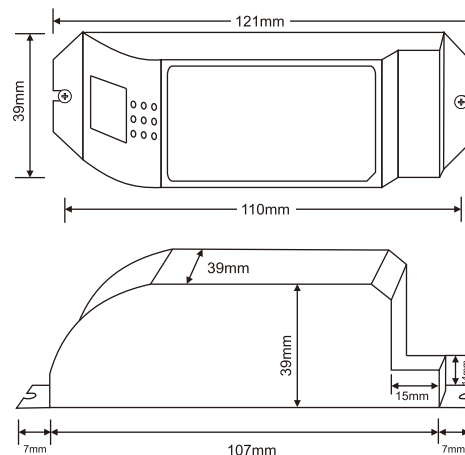
1. Product Parameter:

LT-3637 Common Anode to Common Cathode Power Repeater	
Power Supply Chosen	DC CV SMPS
Input Voltage	DC12V ~ DC24V
Max Load Current	5A/CH×3CH 15A Max
Max Output Power	180W(12V) 360W(24V)
Working Temperature	-30 °C ~55 °C
Dimension	L121×W39×H39(mm)
Package Size	L123×W42×H42(mm)
Weight (G.W.)	100g

2. Features:

1. 3 channels RGB output, 5A/CH, total 15A.
2. Accepts PWM control.
3. Input common anode signal, output common cathode, aims at driving low power common cathode LED lights, common cathode load can be expanded unlimitedly.
4. Parallel connection, unlimited numbers of units can be connected together.
5. The synchrony is not limited by whatever units connected there.
6. The in-phase cable length from controller to power repeater is maximum 500 meters.

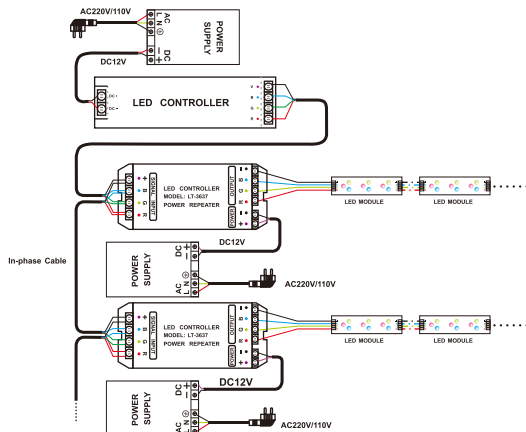
3. Product Dimension:



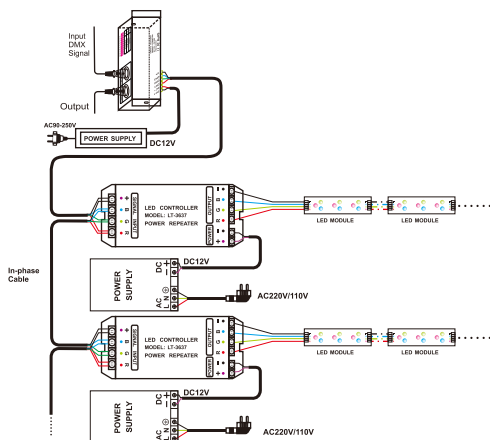
4. Conjunction Diagram

(All repeaters must be connected to RGB controller in parallel)

1. Repeaters Connected to RGB Controller as Follows:



2. Repeaters Connected to DMX Constant Current Decoder:



3

5. Attention:

1. The product shall be installed and serviced by a qualified person.
2. This product is non-waterproof. Please avoid the sun and rain. When installed outdoors please ensure it is mounted in a water proof enclosure.
3. Good heat dissipation will prolong the working life of the controller. Please ensure good ventilation.
4. Please check if the output voltage of any LED power supplies used comply with the working voltage of the product.
5. Please ensure that adequate sized cable is used from the controller to the LED lights to carry the current. Please also ensure that the cable is secured tightly in the connector.
6. Ensure all wire connections and polarities are correct before applying power to avoid any damages to the LED lights.
7. If a fault occurs please return the product to your supplier. Do not attempt to fix this product by yourself.

6. Warranty Agreement:

1. We provide lifelong technical assistance with this product:
 - A 5-years warranty is given from the date of purchase. The warranty is for free repair or replacement and covers manufacturing faults only.
 - For faults beyond the 5-years warranty we reserve the right to charge for time and parts.
2. Warranty exclusions below:
 - Any man-made damages caused from improper operation, or connecting to excess voltage and overloading.
 - The product appears to have excessive physical damage.
 - Damage due to natural disasters and force majeure.
 - Warranty label, fragile label and unique barcode label have been damaged.
 - The product has been replaced by a brand new product.
3. Repair or replacement as provided under this warranty is the exclusive remedy to the customer. LTECH shall not be liable for any incidental or consequential damages for breach of any stipulation in this warranty.
4. Any amendment or adjustment to this warranty must be approved in writing by LTECH only.

★This manual only applies to this model. LTECH reserves the right to make changes without prior notice.

4

Update Time: 2014.01.01