

Terminal Block Box



Ordering Information

Part Number	Outside size (including cover)			No. of Poles	Terminal Layout
	Unit:mm	Unit : inch	Knock-Out		
BC-A①②-4P	55 x 91 x 43	2.17 x 3.58 x 1.69	Ø21	4	Flat
BC-A①②-4PH	50 x 82 x 43	1.92 x 3.23 x 1.69	Ø21	4	Stair
BC-A①②-4PT	65 x 74 x 43	2.56 x 2.91 x 1.69	Ø21	4	Stair
BC-A①②-6PH	55 x 91 x 43	2.17 x 3.58 x 1.69	Ø21	6	Stair
BC-A①②-6PT	75 x 91 x 43	2.95 x 3.58 x 1.69	Ø21	6	Stair
BC-A①②-6P	75 x 91 x 43	2.95 x 3.58 x 1.69	Ø21	6	Flat
BC-A①②-10P	91 x 110 x 43	3.58 x 4.33 x 1.69	Ø21	10	Flat
BC-A①②-10PT	75 x 125 x 43	2.95 x 4.92 x 1.69	Ø21	10	Stair
BC-A①②-15PT	100 x 185 x 70	3.94 x 7.28 x 2.76		15	Stair
BC-A①②-15P	100 x 185 x 70	3.94 x 7.28 x 2.76		15	Flat
BC-A①②-20P	100 x 230 x 70	3.94 x 9.06 x 2.76		20	Flat
BC-A①②-20PT	100 x 230 x 70	3.94 x 9.06 x 2.76		20	Stair
BC-A①②-20PA	160 x 160 x 70	6.30 x 6.30 x 2.76		20	2 Line Stair
BC-A①②-20P2	160 x 160 x 70	6.30 x 6.30 x 2.76		20	2 Line Flat

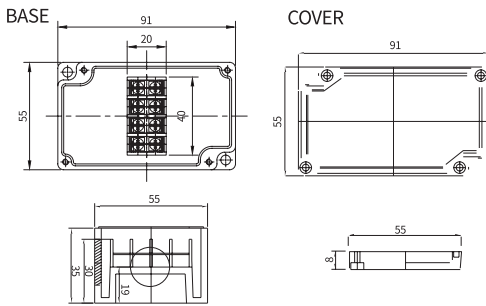
①G: Opaque cover / T: Transparent cover ②B: Grayish blue / G: Gray
 * Ø21=PG13.5 Gland

Specifications

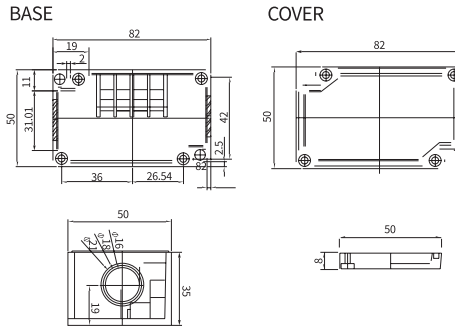
Protection Level	Dust/Water proof: IP66/67, NEMA 4X/6
	Impact test: IK08
Certification	CE, TUV, RoHS
Temperature Range	ABS: -40°C to 70°C (-40°F to 158°F)
Flammability Rating	ABS: UL94-HB, 94-V-0
Rated Insulation Voltage	400V
Rated Current Capacity	2.75 mm sq. -1.5mm sq.
Material	ABS

Dimensions

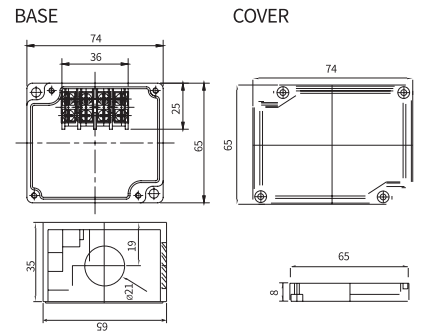
4P



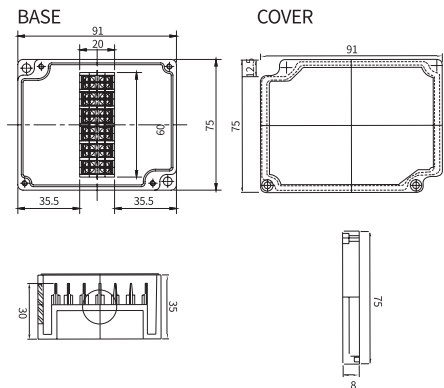
4PH



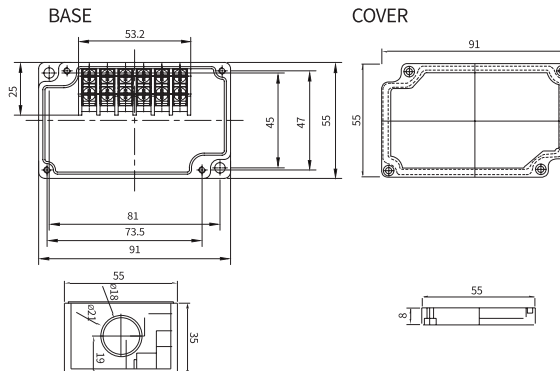
4PT



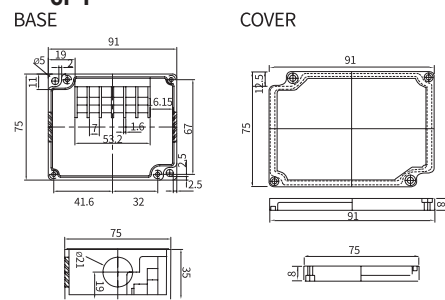
6P



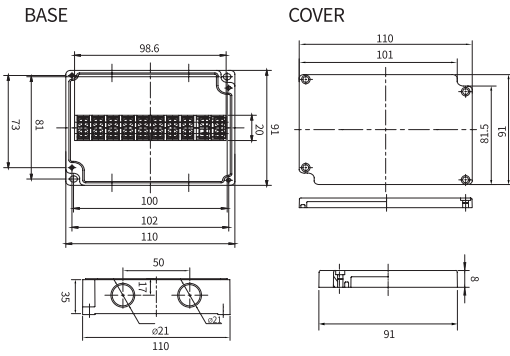
6PH



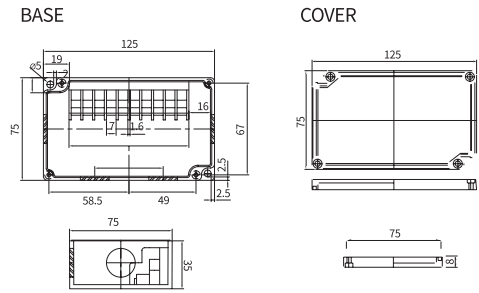
6PT



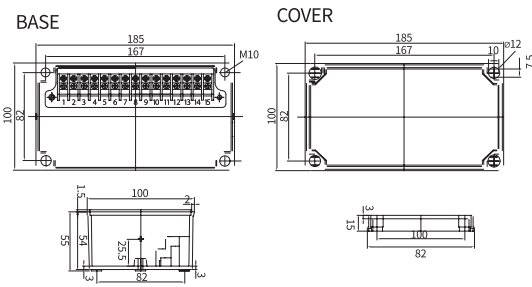
10P



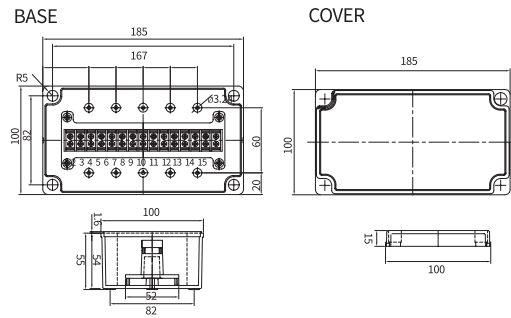
10PT



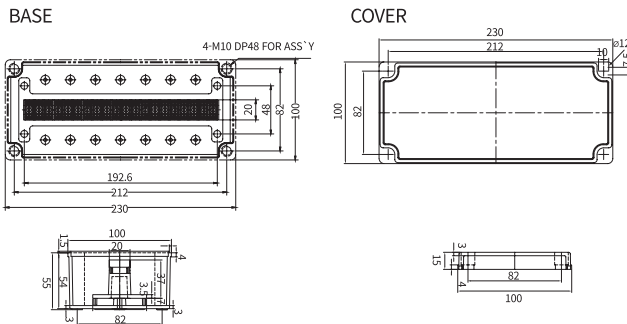
15PT



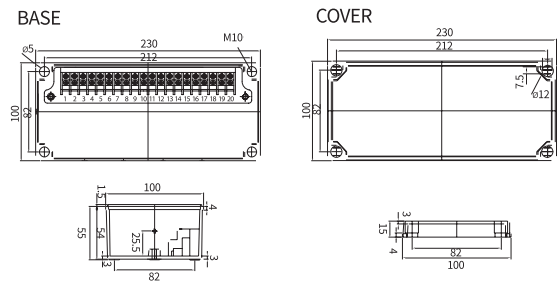
15P



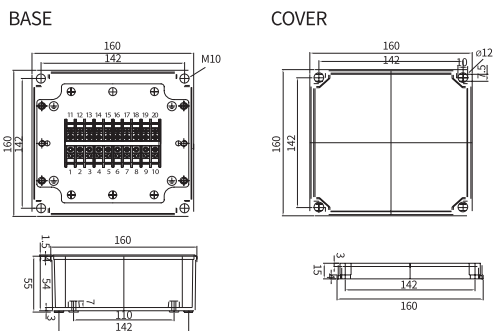
20P



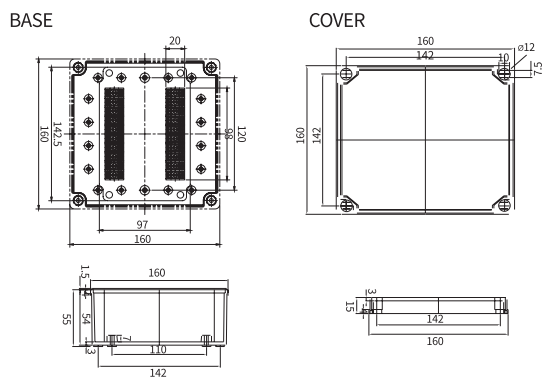
20PT



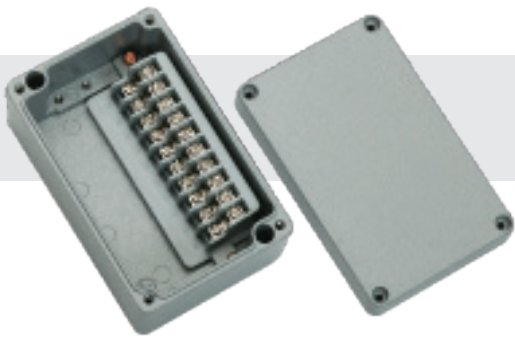
20PA



20P2



Aluminum Terminal Block Box



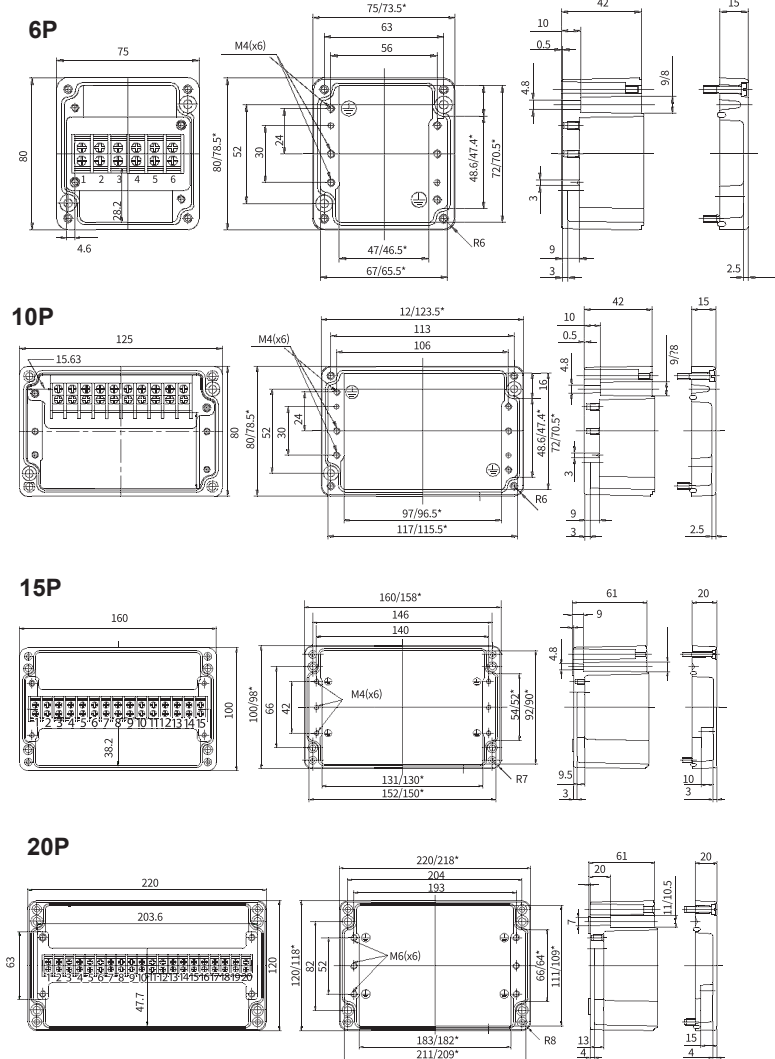
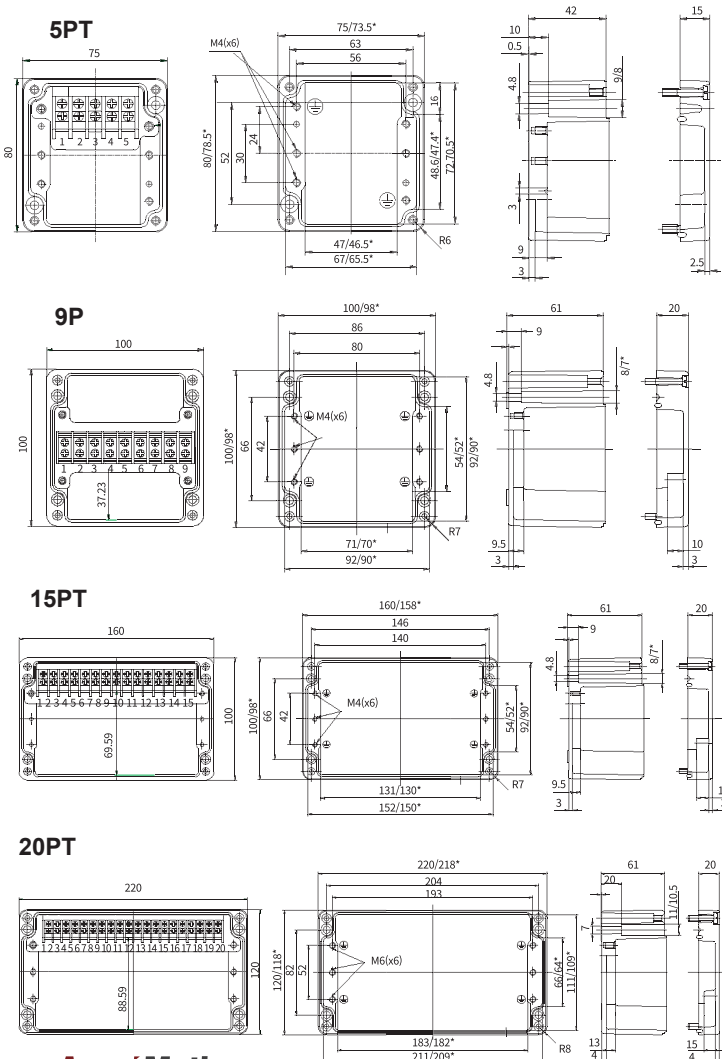
Aluminum Terminal Block Box

Model No.	Outside size (including cover)		Number of poles	Terminal Layout
	W x L x H (Unit :mm)	W x L x H (Unit : inch)		
BC-AL-5PT	80 x 75 x 57	3.15 x 2.95 x 2.24	5	Stair
BC-AL-6P	80 x 75 x 57	3.15 x 2.95 x 2.24	6	Flat
BC-AL-9P	100 x 100 x 80	3.94 x 3.94 x 3.15	9	Flat
BC-AL-10PT	80 x 125 x 57	3.15 x 4.92 x 2.24	10	Stair
BC-AL-15PT	100 x 160 x 80	3.94 x 6.30 x 3.15	15	Stair
BC-AL-15P	100 x 160 x 80	3.94 x 6.30 x 3.15	15	Flat
BC-AL-20PT	120 x 220 x 80	4.72 x 8.66 x 3.15	20	Stair
BC-AL-20P	120 x 220 x 80	4.72 x 8.66 x 3.15	20	Flat
BC-AL-20PAS	150 x 132 x 90	5.90 x 5.19 x 3.54	20	2 Line Stair
BC-AL-20PA	160 x 160 x 90	6.30 x 6.30 x 3.54	20	2 Line Stair
BC-AL-20P2	160 x 160 x 90	6.30 x 6.30 x 3.54	20	2 Line Flat
BC-AL-25PT	160 x 260 x 90	6.30 x 10.24 x 3.54	25	Stair
BC-AL-30PA	180 x 180 x 100	7.09 x 7.09 x 3.94	30	2 Line Stair
BC-AL-30PAS	120 x 220 x 80	4.72 x 8.66 x 3.15	30	2 Line Stair
BC-AL-30P2	230 x 200 x 110	9.06 x 7.87 x 4.33	30	2 Line Flat
BC-AL-40PA	160 x 260 x 90	6.30 x 10.24 x 3.54	40	2 line Stair
BC-AL-40P2	160 x 260 x 90	6.30 x 10.24 x 3.54	40	2 Line Flat
BC-AL-45P3	230 x 200 x 110	9.06 x 7.87 x 4.33	45	3 Line Flat
BC-AL-50PA	160 x 260 x 90	6.30 x 10.24 x 3.54	50	2 Line Stair

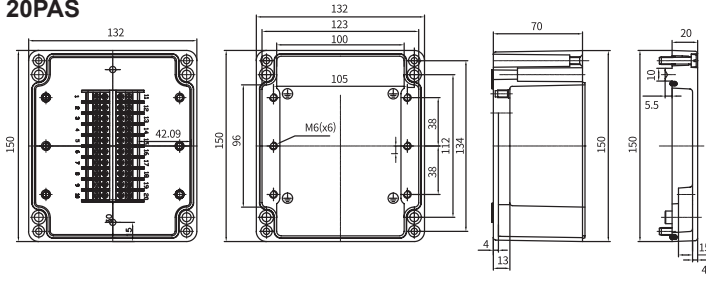
Specifications

Protection Level	Dust/Water proof: IP66/67, NEMA 4X/6
	Impact test: IK 08
Certification	CE, TUV, RoHS

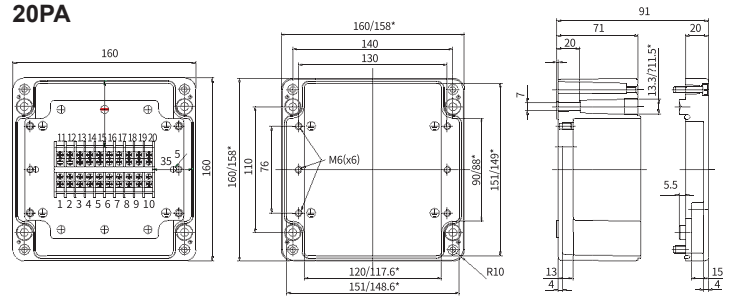
Dimensions



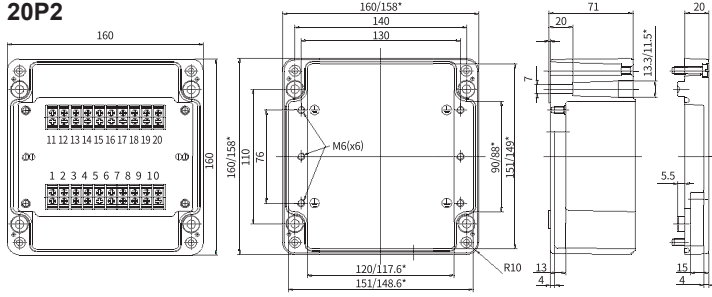
20PAS



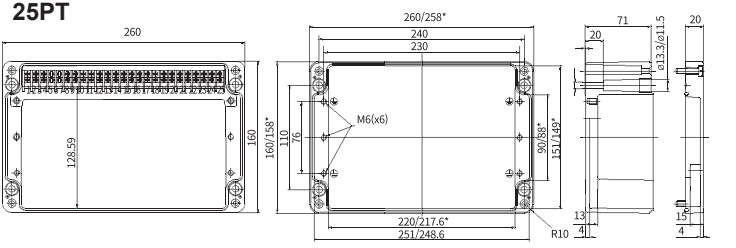
20PA



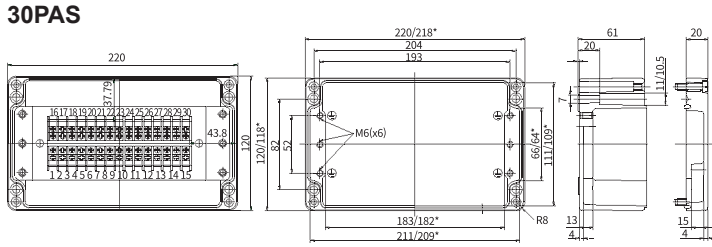
20P2



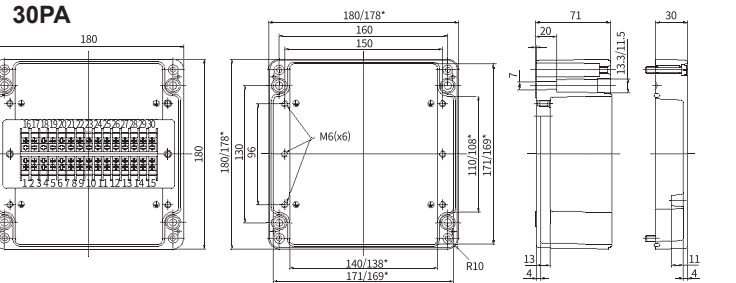
25PT



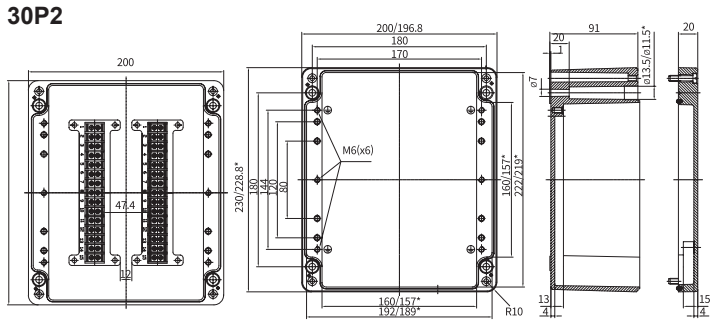
30PAS



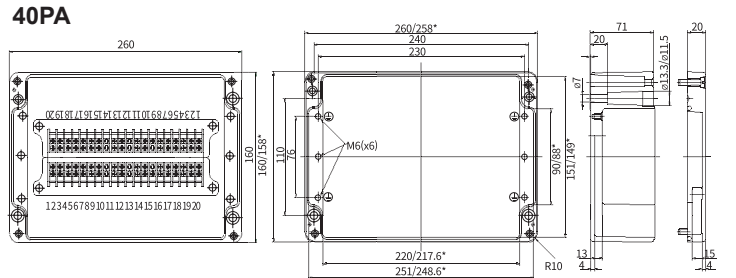
30PA



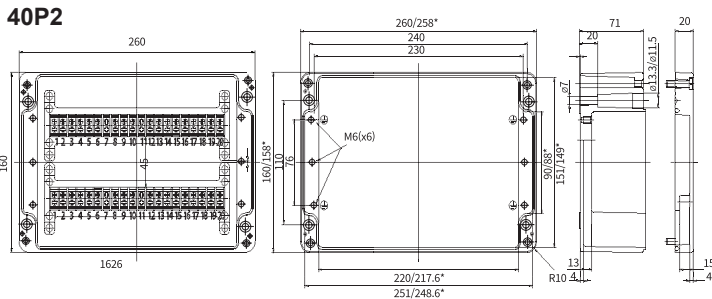
30P2



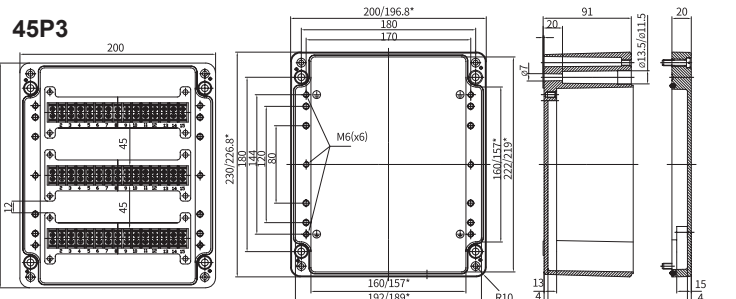
40PA



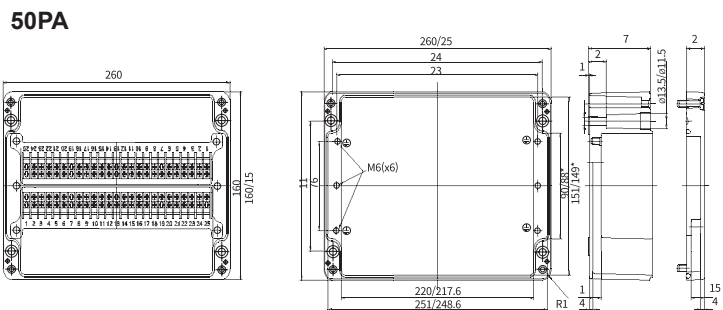
40P2



45P3



50PA



Terminal Block Box with Built-in Cable Gland



Specifications

Protection Level	Dust/Water proof: IP66/67, NEMA 4X/6
	Impact test: IK08
Certification	CE, TUV, RoHS
Temperature range	PBT: -40°C to 100°C (-40°F to 212°F)
Flammability Rating	PBT: GF15%-V-0
Material	PBT

Ordering Information

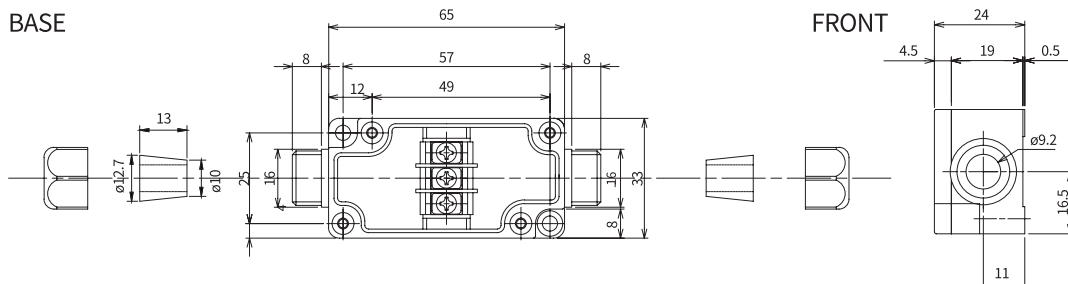
Part Number	Outside size (including cover)		Assembled Cable Gland	No. of Poles	Terminal Layout
	Unit: mm	Unit: Inch			
BC-T①②-3PC	33 x 65 x 24	1.29 x 2.55 x 0.94	2 x PG9	3	Flat
BC-T①②-4PC	40 x 60 x 24	1.57 x 2.36 x 0.94	2 x PG9	4	Flat
BC-T①②-6PC	50 x 70 x 24	1.96 x 2.75 x 0.94	2 x PG9	6	Flat

①G: Opaque cover / T: Transparent cover ②B: Black / G: Gray

Dimensions

3PC

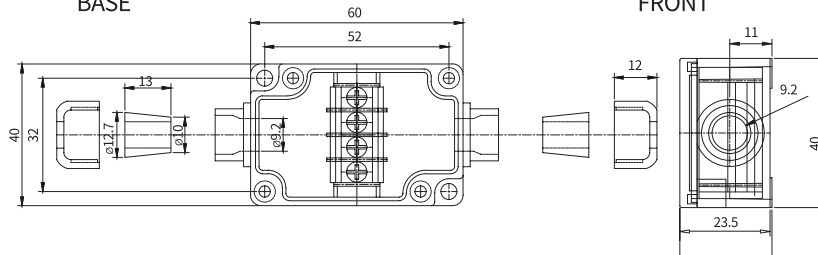
BASE



4PC

BASE

FRONT



6PC

BASE

FRONT

