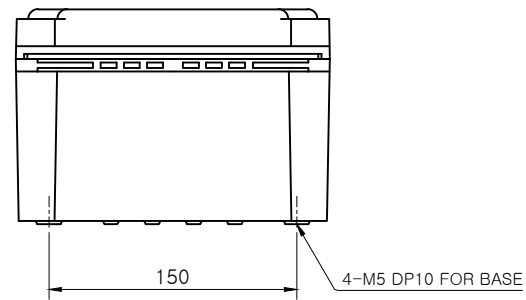
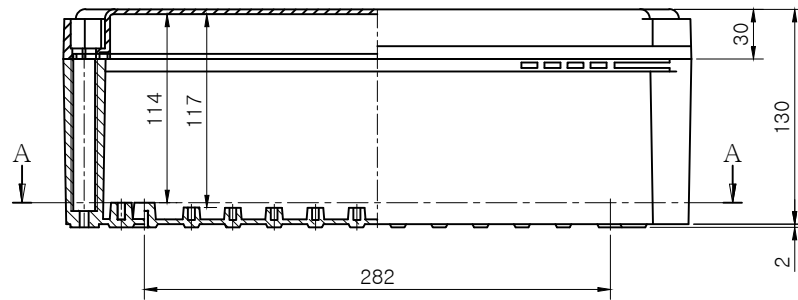


SECTION A-A



Note.

MODEL (모델)	BC-□□S-193813		D R (재도)	JUNG,Y.J.	16.06.10	UNIT (단위)	mm
ASSY (완성 규격)	190 * 380 * 130		C K (검도)	PARK,Y.J.	16.06.10	SCALE (척도)	1:3
DWG NO (도번)	S-193813-03	MATERIAL (재질)	A P (승인)	KIM,D.S.	16.06.11	REV. (개정)	0

BOXCO®