

# LT-451-10A DALI LED Dimming Driver



DALI (Digital Addressable Lighting Interface) is a popular national standard protocol in the lighting control field at present with overall, grouping, addressable dimming and lighting scene functions etc.. DALI protocol bus control is widely used because it's simple, reliable, superior and so on.

LT-451-10A, CV DALI dimming driver, adopts the latest DALI standard IEC62386(IEC60929 compatible), supports computer connection and individual setting. No computer software or DALI editor is needed when being used independently. Through OLED display, it can support manual addressing, grouping and scenario editing, which is super convenient for project installation.

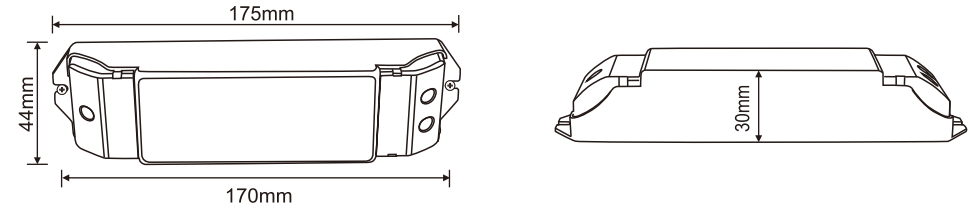
LT - 451-10A is compatible with all major manufacturers of DALI devices such as Lutron, Dyalite, Tridonic, Schneider, Clipsal, Osram, Philips, Helar, ABB etc.

## 1. Product Parameter

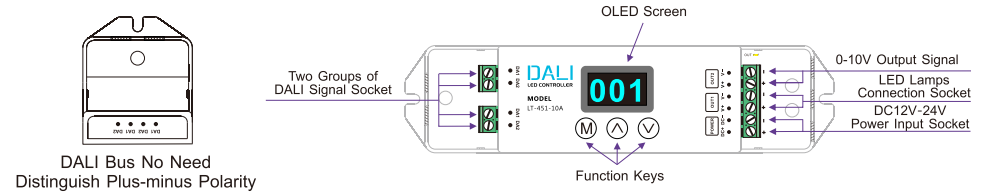
### LT-451-10A DALI LED Dimmer

- Input Signal: DALI Dimming Signal(IEC62386/IEC60929)
- Input Voltage: DC12V~DC24V
- Output: 10A x1CH+0-10V x 1CH
- Max Output Power: 120W/240W(12V/24V)
- Dimming Range: 0~ 100%
- Working Temp.: -30°C-55°C
- Dimension: L175×W44×H30(mm)
- Package Size: L178×W48×H33(mm)
- Weight(G.W.): 150g

## 2. Product Dimension:

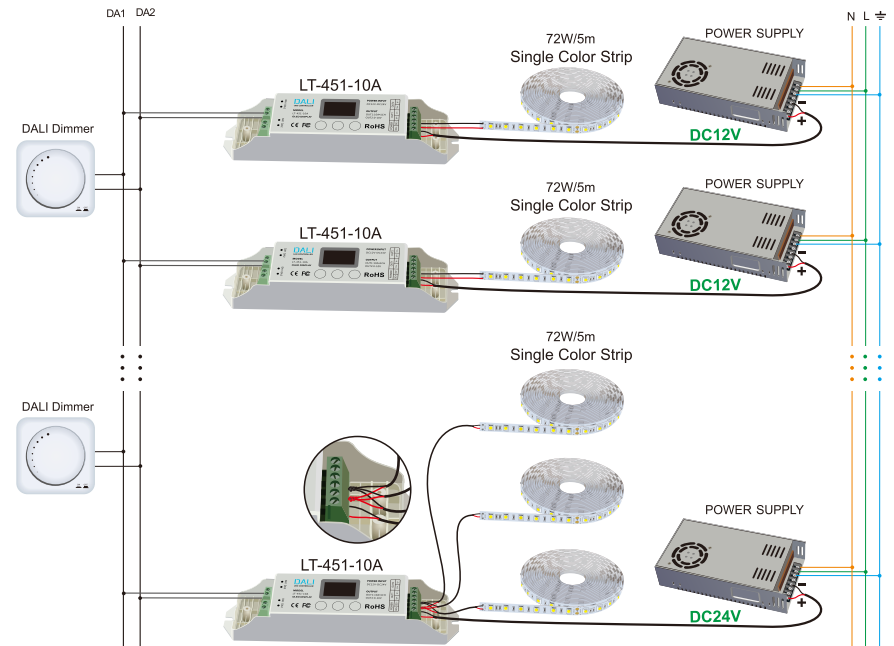


## 3. Terminal Description:

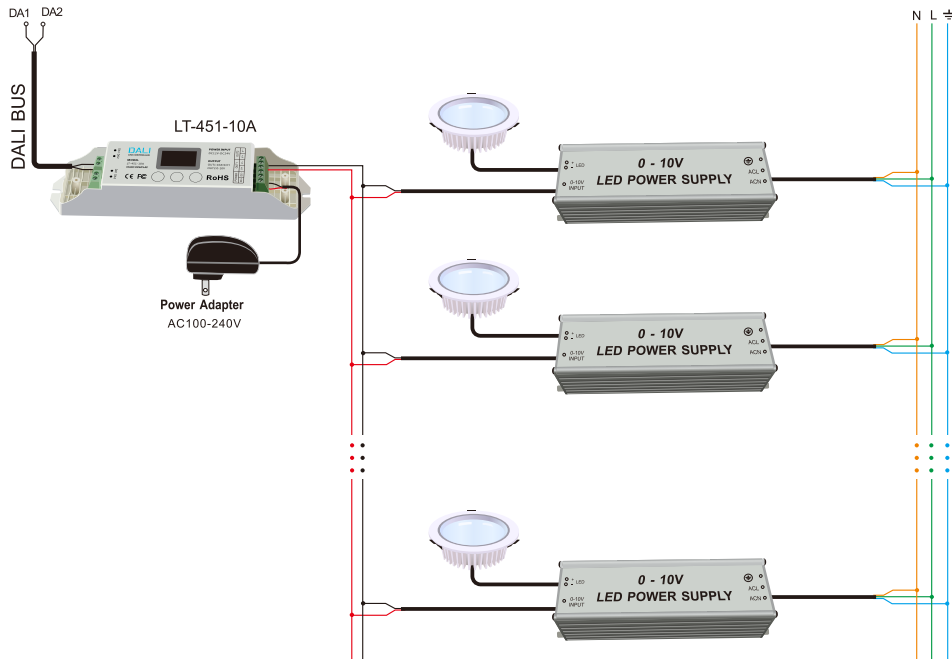


## 5. Conjunction Diagram:

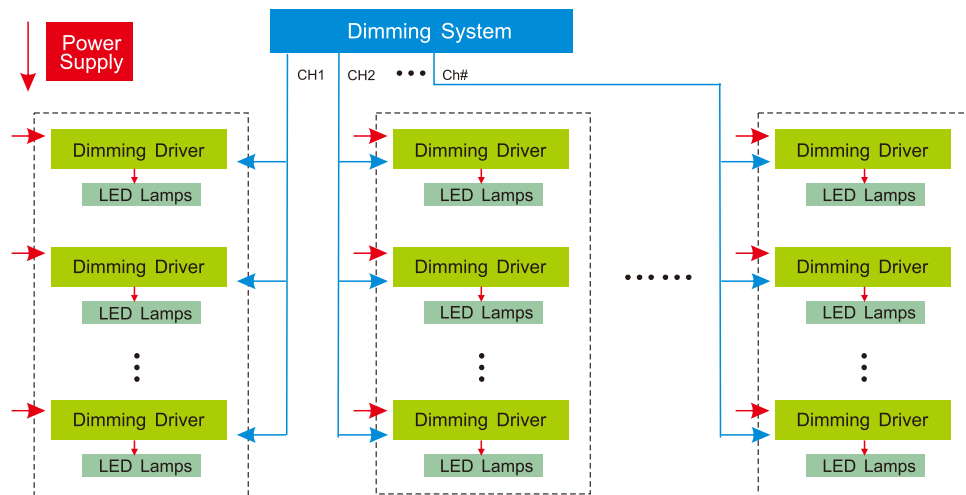
1. 12V lamp connected, max load 120W(12V). 24V lamp connected, max load 240W(24V).



2. Provides DALI to 0-10V connect port, which is compatible to control 0-10V product in DALI control system. Diagram example as below:



3 System Connection Diagram:



6. OLED Screen Interface Diagram:

