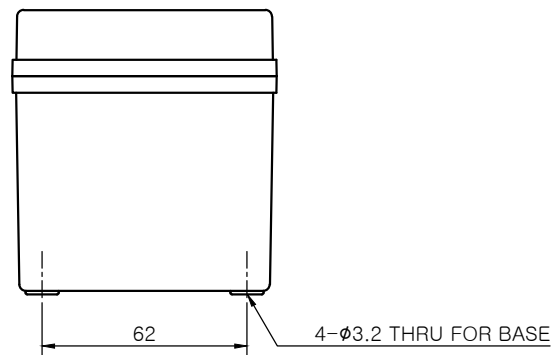
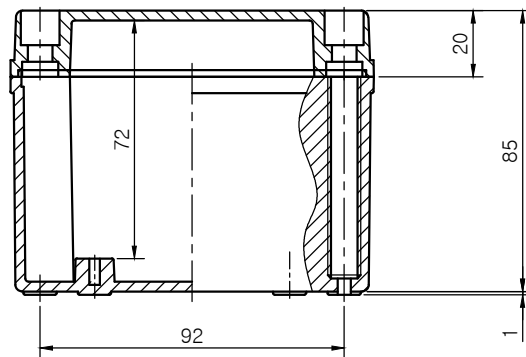


COVER REMOVED



Note.

MODEL (모델)	BC-AGS-081108		D R (제도)	JUNG,Y.J.	16.04.01	UNIT (단위)	mm
ASSY (완성 규격)	80 * 110 * 85		C K (검도)	PARK,Y.J.	16.04.01	SCALE (확대)	1:1.5
DWG NO (도번)	S-081108-01-03	MATERIAL (재질)	A P (승인)	KIM,D.S.	16.04.02	REV. (개정)	0

